

Metal tiles performance advantages



Fire resistance

Class A fireproof materials, in case of fire breaking out, the fire will not spread around, and it is safe to use metal tiles.



Corrosion resistance

The corrosiveness of "aluminum-zinc galvanized steel sheets" is mainly due to the protective function of aluminum. When zinc is corroded, the aluminum forms a dense layer of alumina that prevents corrosion materials from continuing to corrode.



Economic type materials

In the construction of the building roof, no need to remove any roofing materials, and it can be directly constructed, so that the waste disposal cost is minimized.



Heavy snow proof

The metal tiles have concave-convex shapes, and a layer of natural stone particles on the surface. When it snows in winter, the snow does not form a block.



Earthquake proof

When an earthquake occurs, the metal tile does not slip like a normal tile, the injuries can be minimized



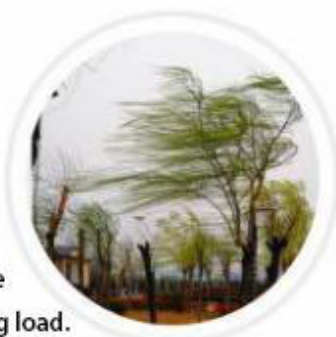
Noise reduction

The natural colored layer on the metal surface absorbs rain's pitter-patter and reduces noise



Lightweight

Since the density of 55% of AL-Zn is smaller than the density of Zn, the aluminum-zinc-plated steel sheet is larger than the area of the plated steel sheet by 3% or more in the case where the weight is the same and plated layer thickness the same. Lightweight material reduces the building load.



Wind proof

It is also safety for roofs with metal tiles in the typhoons or ice fog and strong winds areas, the premise is that the roofs are strictly constructed



Heat resistance

Al-Zn alloy has good heat resistance and can withstand temperatures of more than 300 degrees Celsius. Its oxidation is similar to Zn-galvanized steel sheets, and is often used in chimney tubes, ovens, illuminators and fluorescent shades.



Heat reactivity

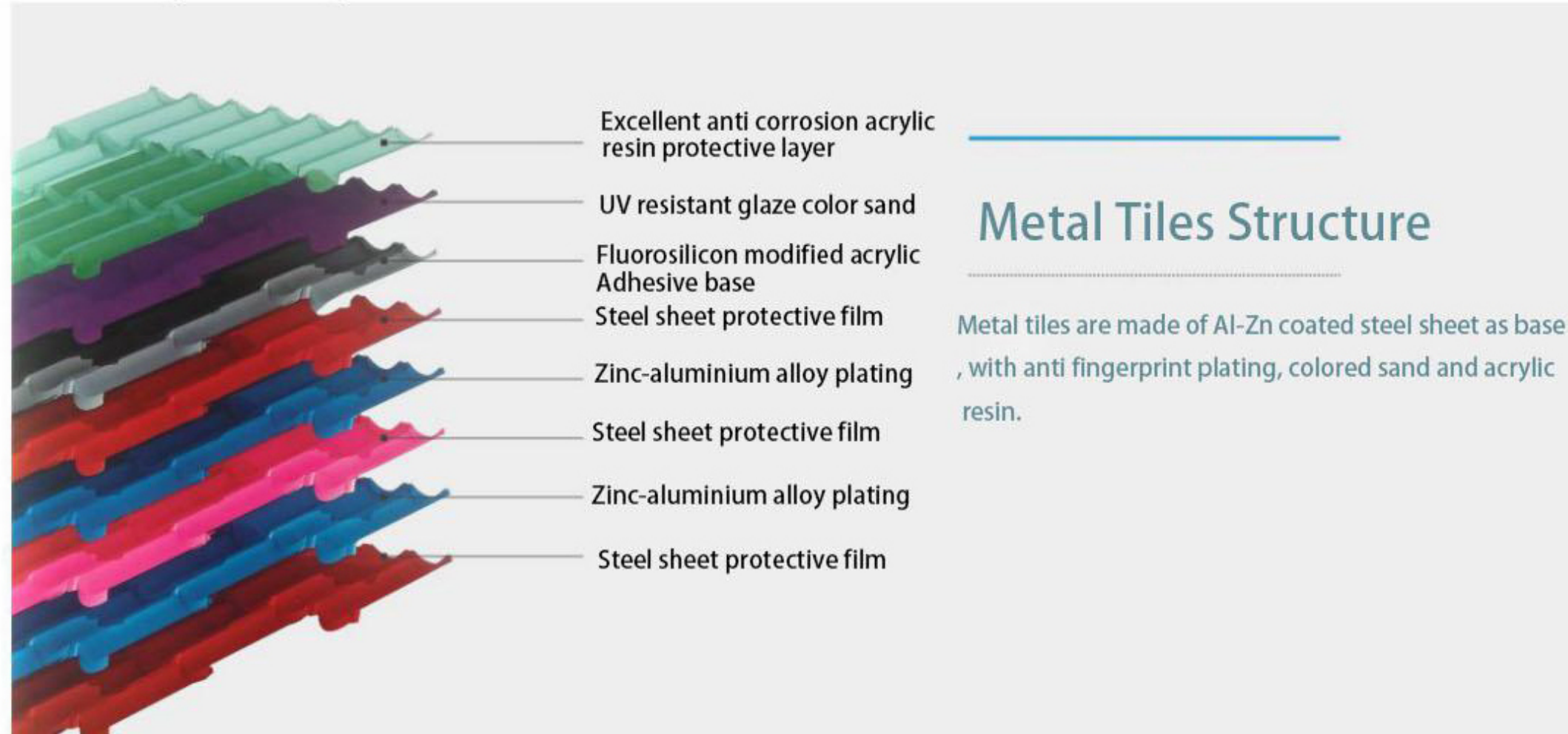
Al-Zn galvanized steel sheets have a high heat reflectivity, which is twice that of Zn galvanized steel sheets, which are often used as insulation materials. Al-Zn galvanized steel sheet consists of a base steel sheet and natural stone particles, so it can suppress the temperature's rapid rise in summer.

Main Physicochemical Indexes

Test items	Technical indicators and test results
1. High temperature resistance	5 hours in the condition of 100 ° C, the coating has no blistering, shedding, rust, discoloration and loss of light.
2. Low temperature resistance	48 hours in the condition of -40 ° C, the coating has no blistering, shedding, rust, discoloration and loss of light.
3. Impact resistance	50 cm impact, no cracking happens
4. Liquid medium resistance	The coating is free of blistering, shedding, rusting, discoloration and loss of light.
5. Neutral salt spray resistance	No abnormality after 500 hours testing
6. Artificial weathering resistance	No abnormality after 300 hours testing
7. Radionuclide limitations	Both internal and external exposure indices are consistent with Class A

Metal Tiles Introduction

Colored stone metal tiles, are made using high technology, with excellent anti corrosion Al-Zn galvanized steel base. It is a new type of high-grade roofing material, with a weather-resistant acrylic resin as a binder and colored natural sand as its coating. Because of its beautiful appearance, light weight, durability and environmental protection, it has become the mainstream international roofing material in recent years. It is used in the construction of domestic high-end buildings

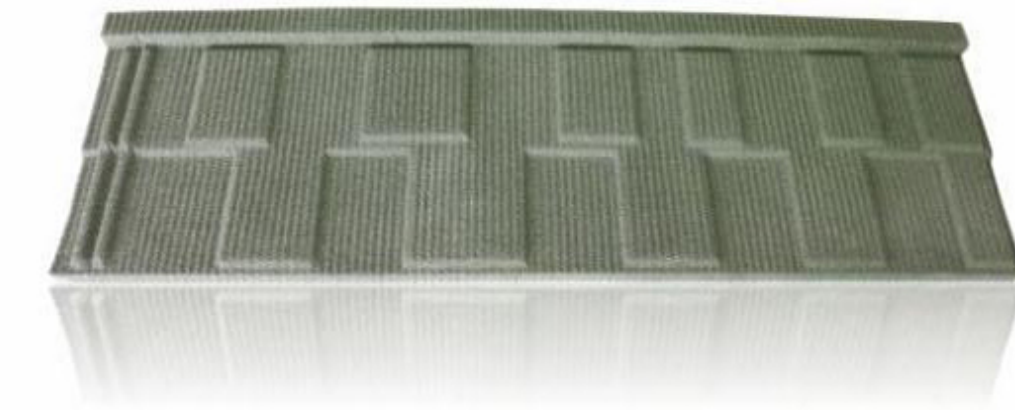


- 1) The medium Al-Zn galvanized steel sheet is electroplated with a plating solution composed of 55% aluminum, 43.4% zinc and 1.6% silicon, and its workability and coating properties are basically the same as those of the zinc galvanized steel sheet.
- 2) On the aluminum-zinc plating layer there is fingerprint resistant coating, and the anti-fingerprint coating protects the aluminum-zinc plating layer. At the same time, the anti-fingerprint coating can better bond the Al-Zn galvanized steel sheet with the colored. The anti-fingerprint coating has two colors --- colorless transparent and light green.
- 3) Colored sand forms a decorative layer of metal tiles and a protective layer of base layer. It is made of different sizes basalt particles by high-tech coloring process and high temperature sintering. It has more than ten colors, can withstand ultraviolet radiations and can reduce the noises caused by rainwater to metal tiles.
- 4) Acrylic resin is the key material for bonding steel plate and colored sand, and also serves as a protective layer for colored sand surface to prevent leakage of rainwater and prolong the life of sand color.



Smooth Type

Checked tile

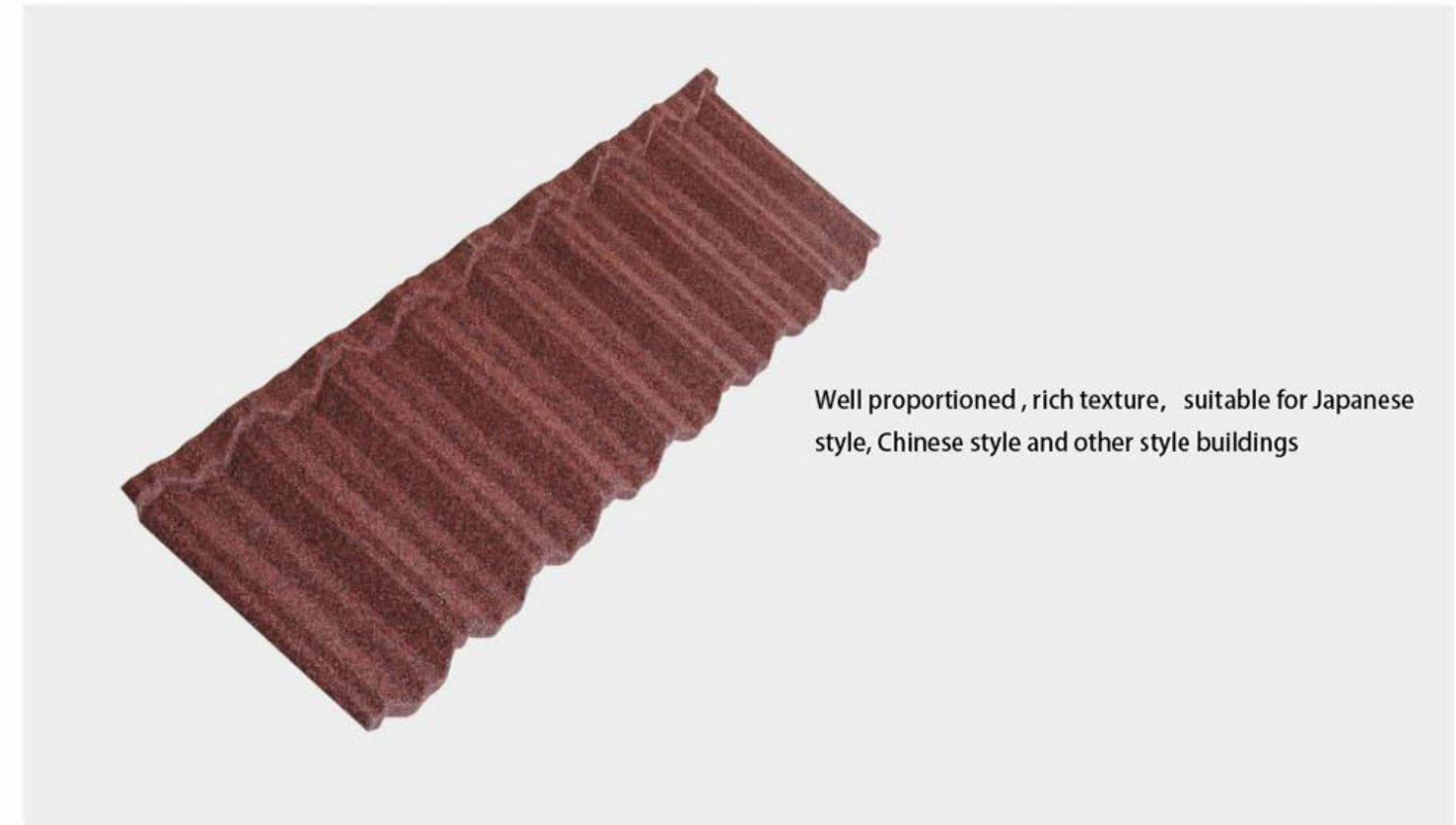


TILE SPECIFICATION

Tile Size	1350*420mm
Installed Exposure	1280*370mm
Coverage Area	0.473m ²
Tile/m ²	2.1pcs/m ²
Weight/Tile	2.7kg



Traditional tile shapes, the eternal classic, handsomely impressive, roofs with our tiles show beautiful curve lines, suitable for modern villas, European minimalist, American classical and other style buildings.



Well proportioned, rich texture, suitable for Japanese style, Chinese style and other style buildings

Exclusive Type

ARC TILE -7 WAVE



TILE SPECIFICATION

Tile Size	1350*420mm
Installed Exposure	1280*370mm
Coverage Area	0.473m ²
Tile/m ²	2.1pcs/m ²
Weight/Tile	2.7kg

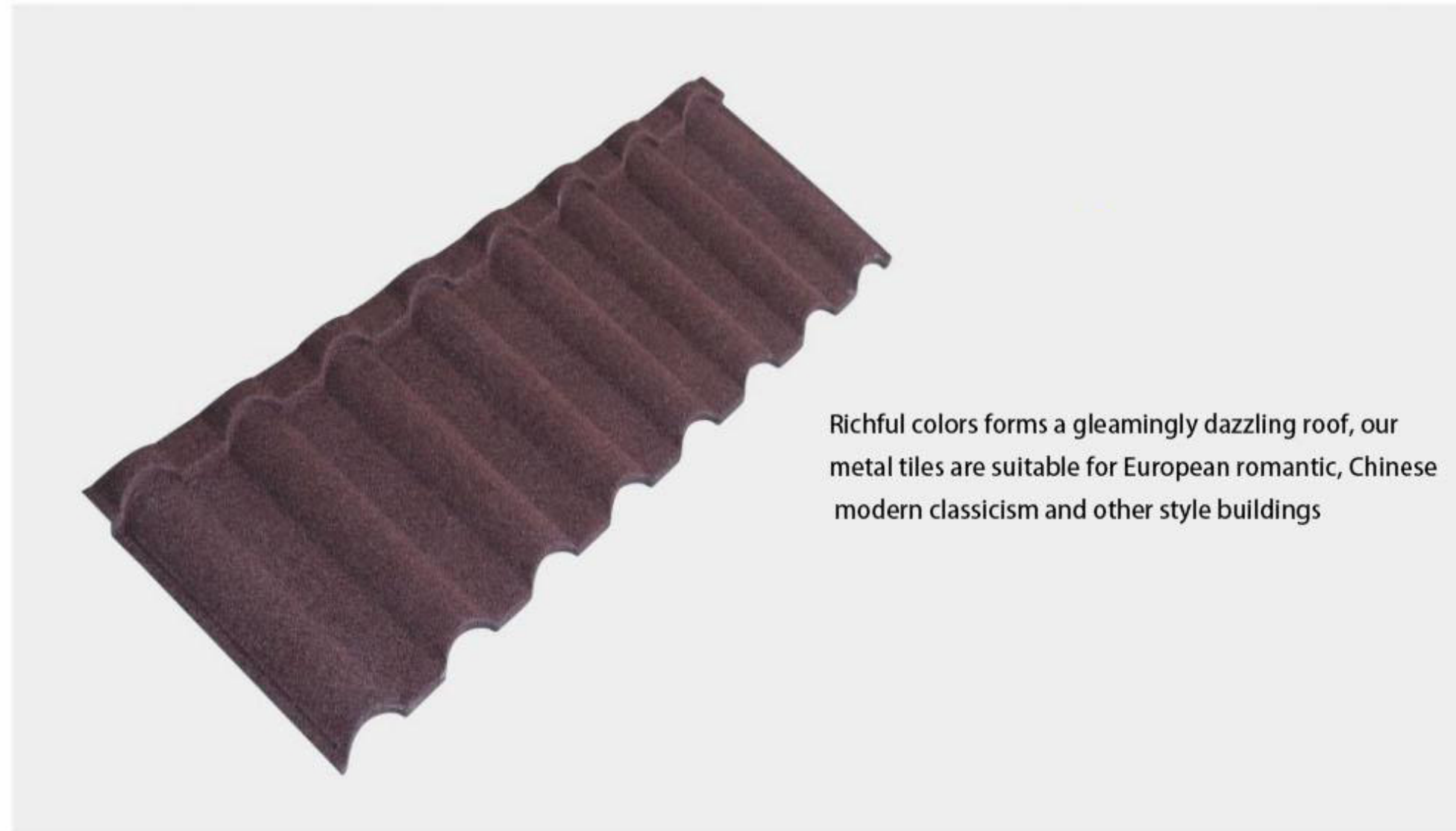
Rhombus Type

Bevel edge tile



TILE SPECIFICATION

Tile Size	1350*420mm
Installed Exposure	1280*370mm
Coverage Area	0.473m ²
Tile/m ²	2.1pcs/m ²
Weight/Tile	2.7kg



Richful colors forms a gleamingly dazzling roof, our metal tiles are suitable for European romantic, Chinese modern classicism and other style buildings



Showing harmony beauty, returning to nature, perfectly integrating architectures and the nature, suitable for European pastoral, Chinese wooden houses, romanticism and other style buildings

Roman Type

Rainbow tile



Wood grain tiles

Wood tile



TILE SPECIFICATION

Tile Size	1350*420mm
Installed Exposure	1280*370mm
Coverage Area	0.473m ²
Tile/m ²	2.1pcs/m ²
Weight/Tile	2.7kg

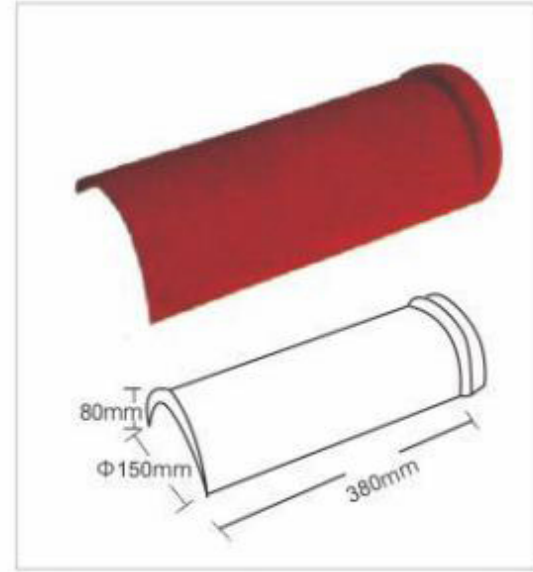


TILE SPECIFICATION

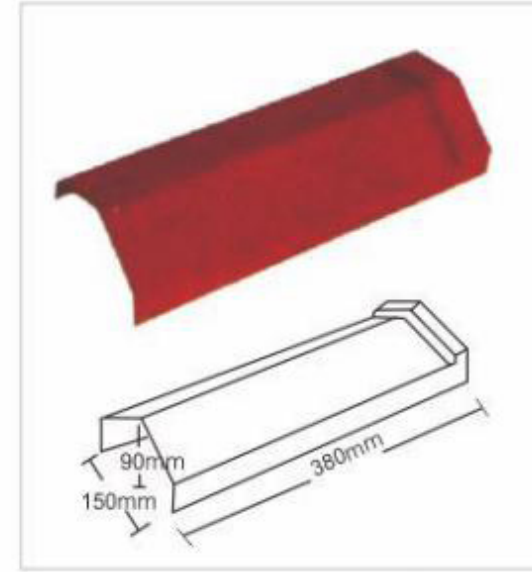
Tile Size	1350*420mm
Installed Exposure	1280*370mm
Coverage Area	0.473m ²
Tile/m ²	2.1pcs/m ²
Weight/Tile	2.7kg

配件

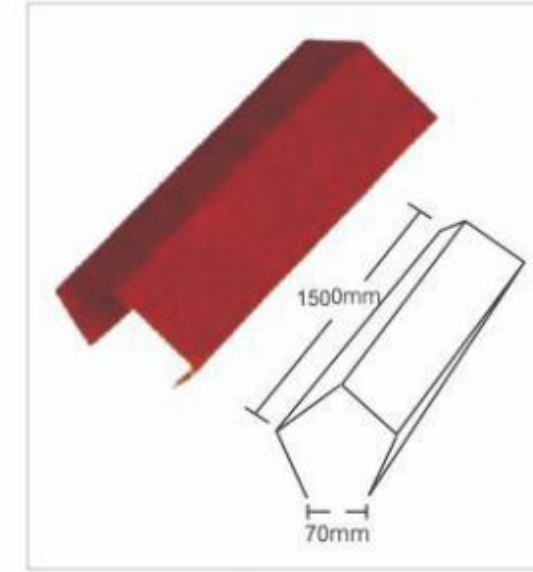
Accessories



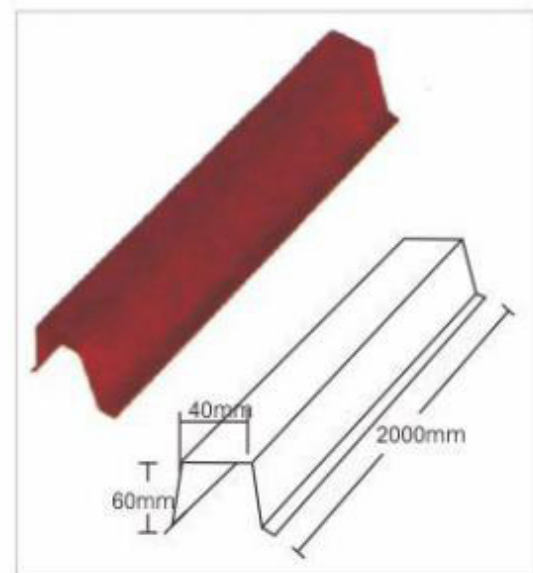
W01圆形脊瓦, Circular Hip (380mm)



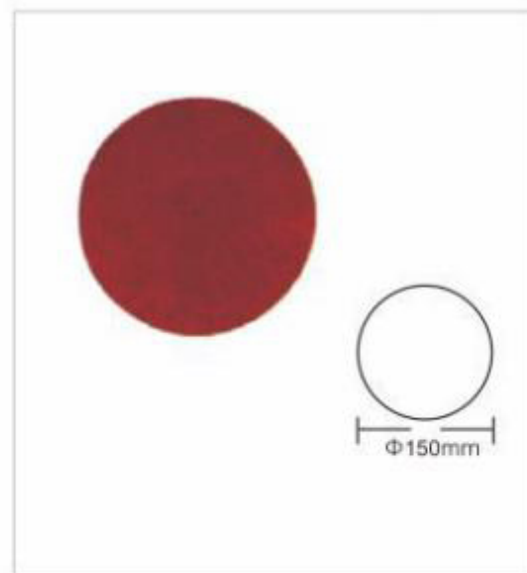
W03角形脊瓦, Angle Hip (380mm)



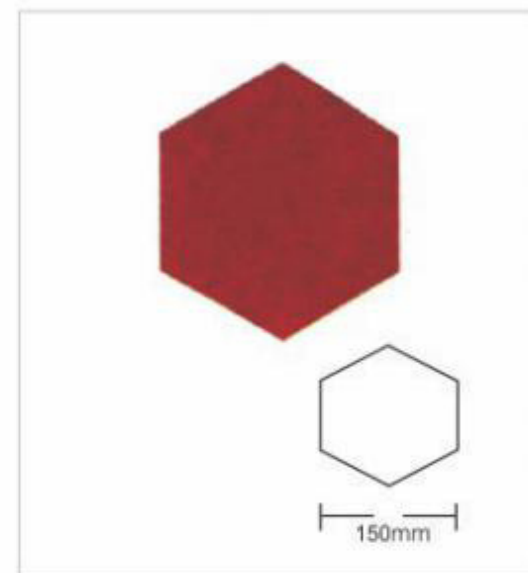
W05角形脊瓦, Angle Hip (1500mm)



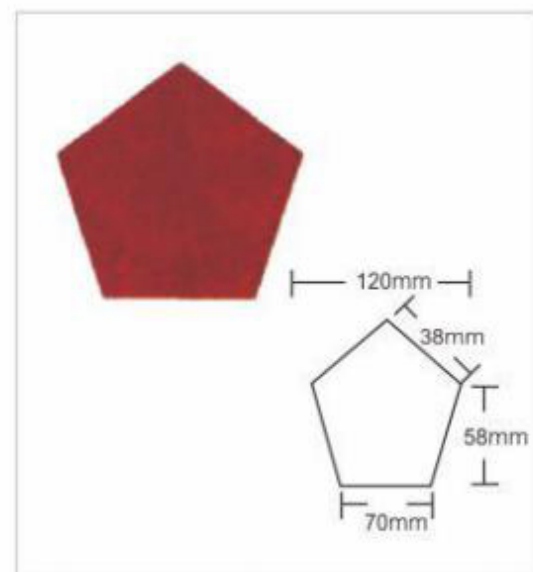
W07方形脊瓦, Ridge Hip



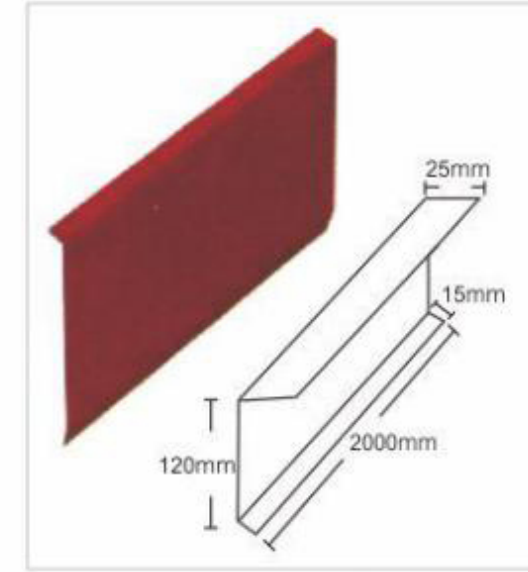
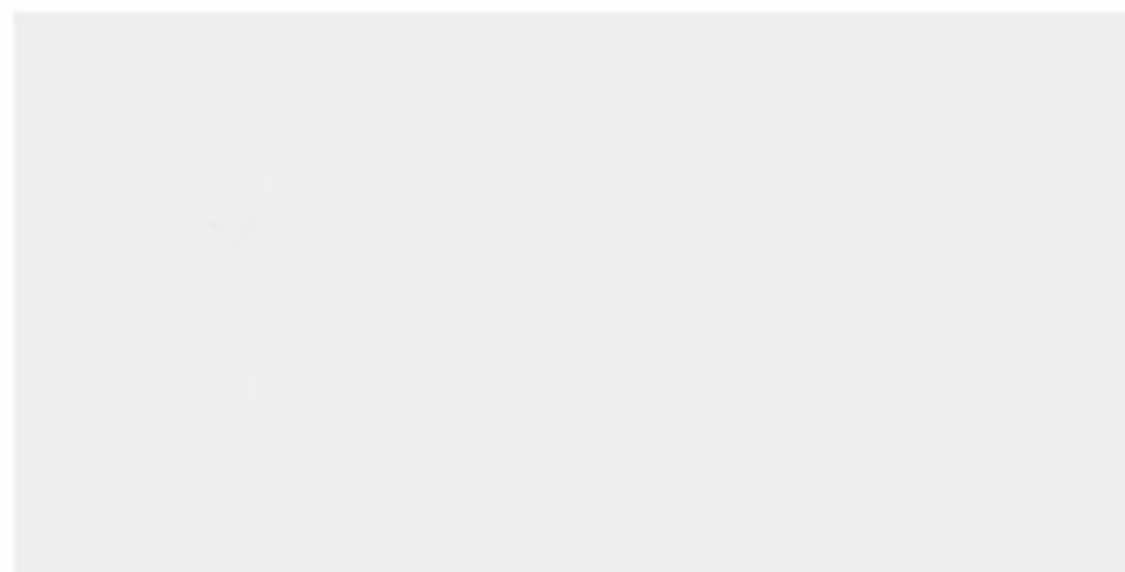
W02圆形封口, Round Seal



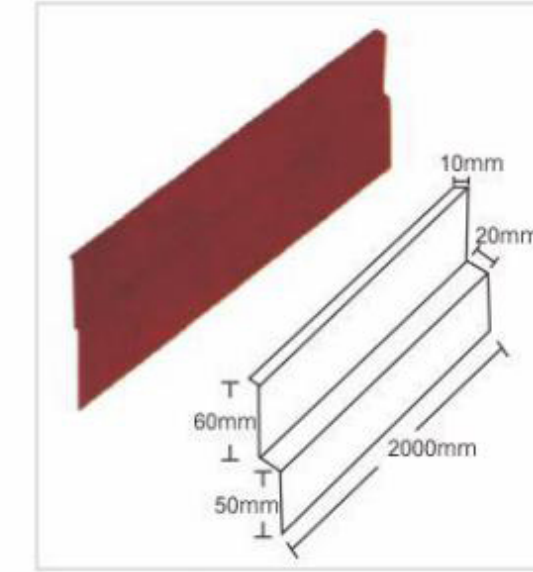
W04六角形封口, Hexagonal-type Seal



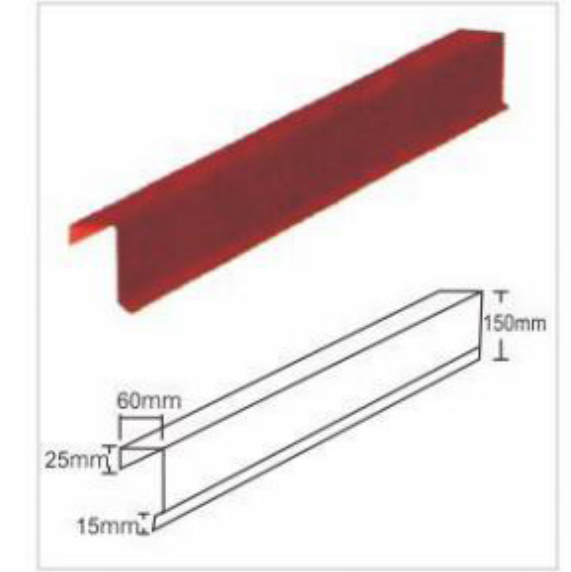
W06五角形封口, Pentagon-type Seal



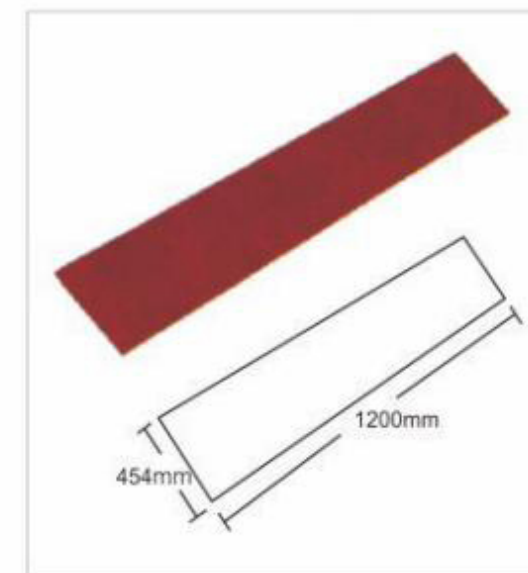
W09檐板, Eave Flashing



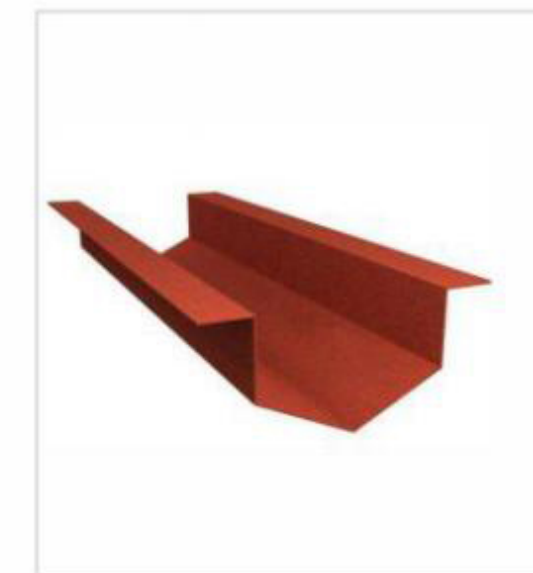
W10泛水板, Side Flashing



W11山墙板, Box Barge Cover



W12平板, Flat Sheet



W13天沟板2, Valley Tray2



W16辅助材料, Restorative



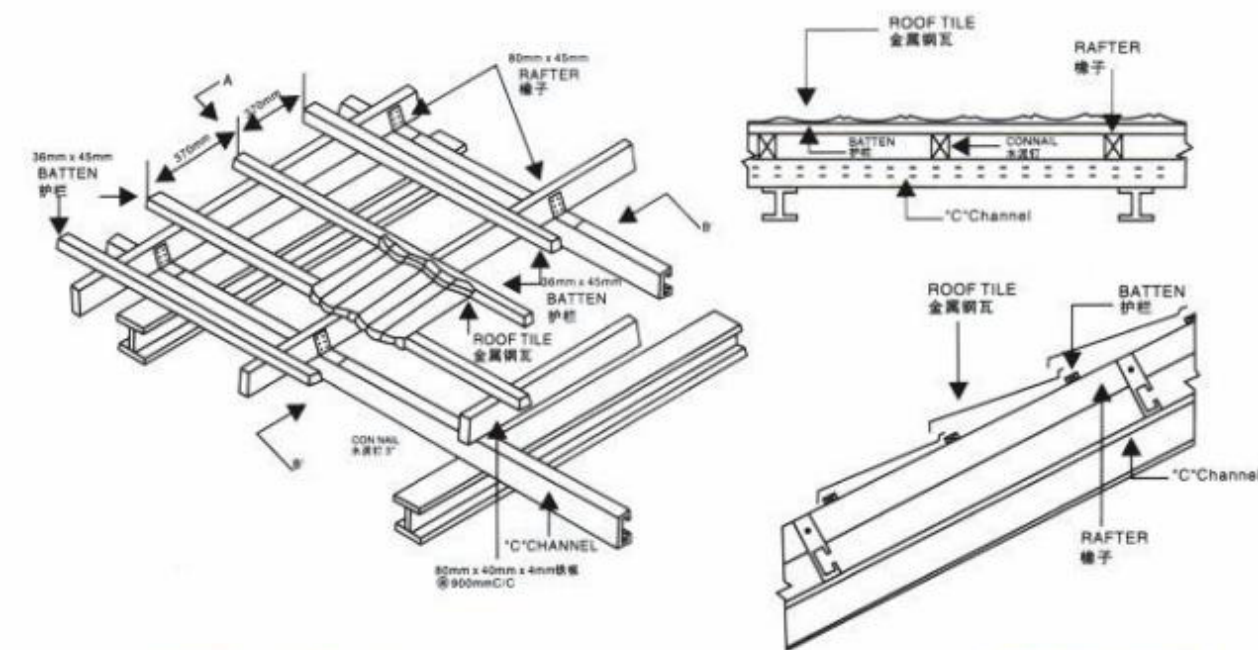
W15钢钉, Screw



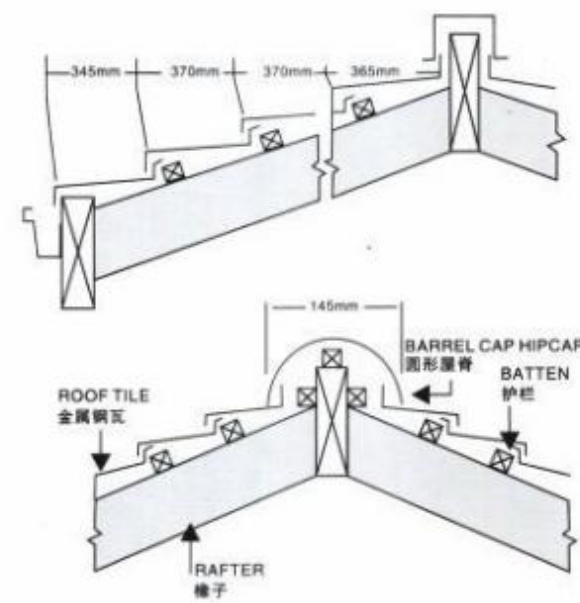
金属瓦施工图面

Metal Tile Construction Plan

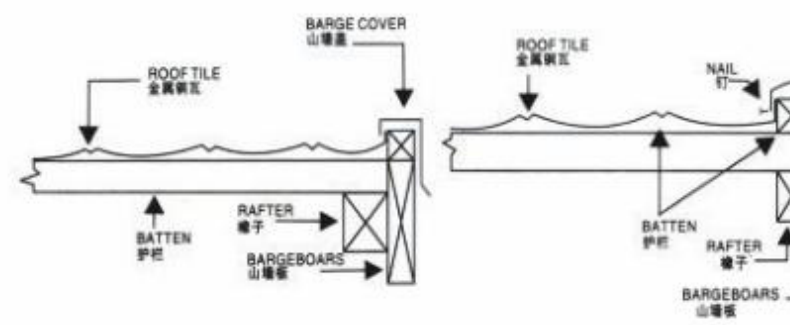
椽子及护栏 rafier&batten



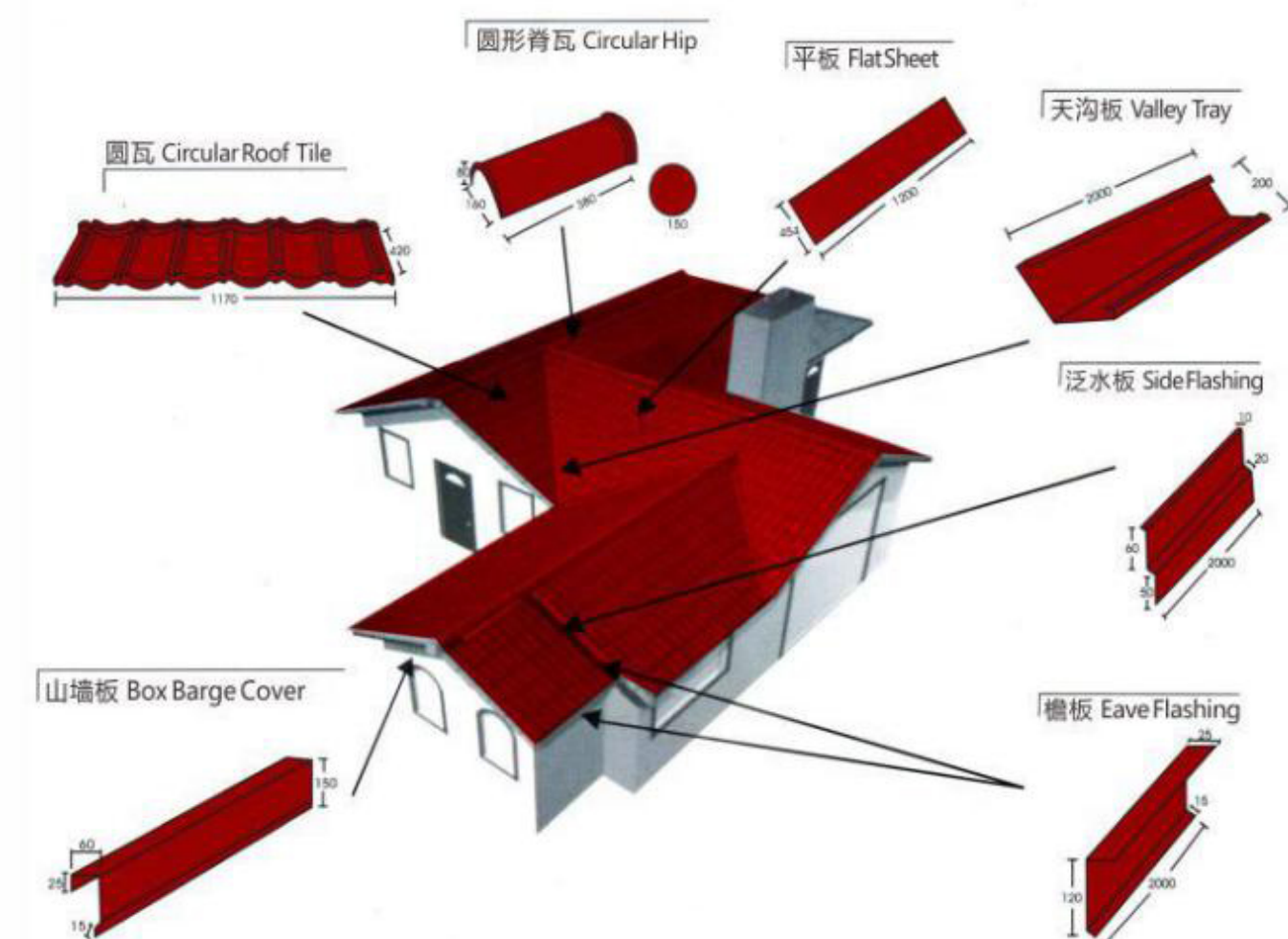
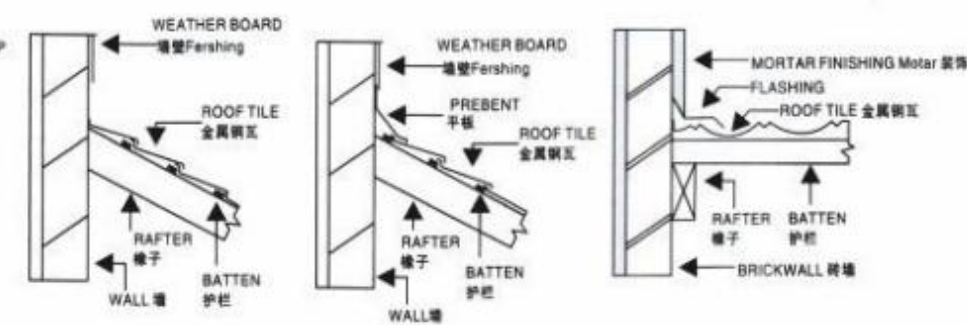
屋脊 barrel Ridge/hip Cap



山墙 Barge Board

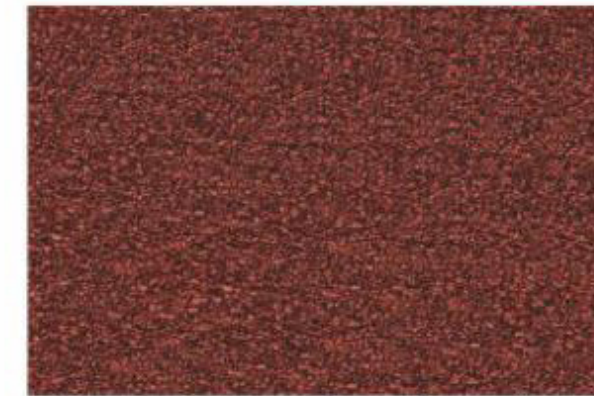


壁面链接部位 Junctions With Vertical Face

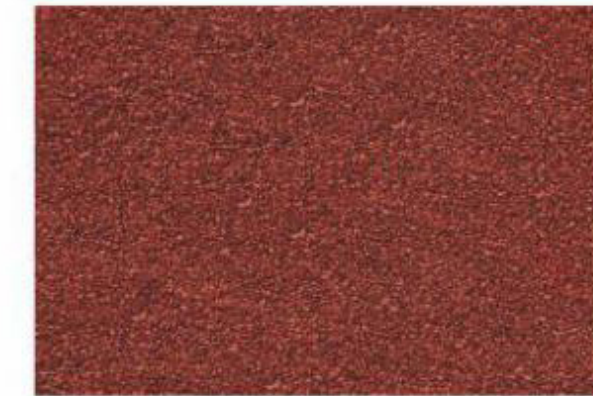


色卡

Color



中国红 China Red



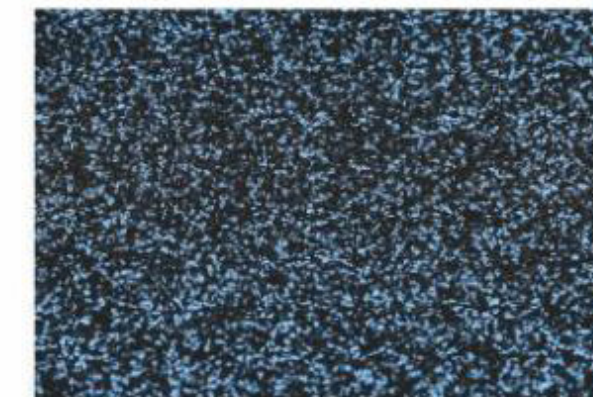
晚霞红 Spanish Red



森林绿 Forest Green



亚洲绿 Asia Green



海洋蓝 Ocean Blue



宝石蓝 Jewelry Blue



亚洲红 Asia Red



乌碳黑 Drak Brown



水墨灰 Gray Ink



云石灰 Cloud Gray



深咖啡 Drak Brown



秋叶棕 File Mot

注：此色卡仅供参考，以实际产品颜色为准！