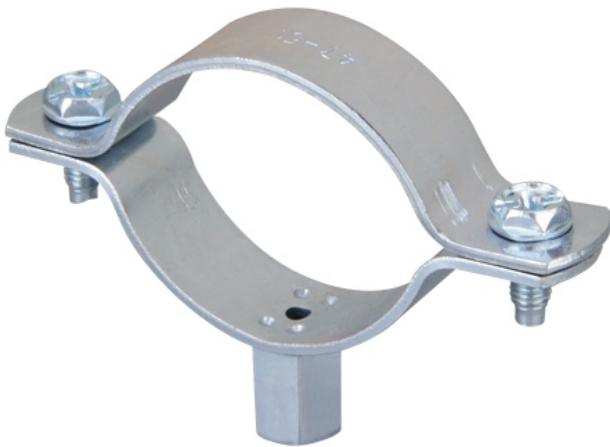


WELDING TYPE CLAMPS M8 WITH RUBBER

| REFERENCE | DI SIZE(mm) | DIA(mm)  | INCH   | TWO SIDE SCREW | W*T(mm)      | CTN SIZE   | PCS/CTN |
|-----------|-------------|----------|--------|----------------|--------------|------------|---------|
| CNCL018   | 18          | 15-19    | 3/8"   | M6*15          | 20*(1.2~1.5) | 42*27*13CM | 200PCS  |
| CNCL022   | 22          | 20-25    | 1/2"   | M6*15          | 20*(1.2~1.5) | 42*27*13CM | 200PCS  |
| CNCL028   | 28          | 26-30    | 3/4"   | M6*15          | 20*(1.2~1.5) | 42*27*13CM | 160PCS  |
| CNCL035   | 35          | 32-36    | 1"     | M6*15          | 20*(1.2~1.5) | 42*27*13CM | 120PCS  |
| CNCL040   | 40          | 38-43    | 1 1/4" | M6*15          | 20*(1.2~1.5) | 42*27*13CM | 120PCS  |
| CNCL048   | 48          | 47-51    | 1 1/2" | M6*15          | 20*(1.2~1.5) | 42*27*25CM | 180PCS  |
| CNCL054   | 54          | 53-58    |        | M6*15          | 20*(1.2~1.5) | 42*27*25CM | 175PCS  |
| CNCL060   | 60          | 60-64    | 2"     | M6*15          | 20*(1.2~1.5) | 42*27*25CM | 170PCS  |
| CNCL070   | 70          | 68-72    | 2"     | M6*15          | 20*(1.3~1.5) | 42*27*25CM | 120PCS  |
| CNCL075   | 75          | 75-80    | 2 1/2" | M6*15          | 20*(1.3~1.5) | 42*27*25CM | 110PCS  |
| CNCL083   | 80          | 80-86    |        | M6*20          | 20*(1.3~1.5) | 42*27*25CM | 100PCS  |
| CNCL090   | 90          | 87-92    | 3"     | M6*20          | 20*(1.3~1.5) | 42*27*25CM | 100PCS  |
| CNCL100   | 100         | 99-105   | 3 1/2" | M6*20          | 20*(1.3~1.5) | 42*27*25CM | 100PCS  |
| CNCL110   | 110         | 107-112  |        | M6*20          | 20*(1.3~1.5) | 42*27*25CM | 60PCS   |
| CNCL115   | 115         | 113-118  | 4"     | M6*20          | 20*(1.3~1.5) | 42*27*25CM | 60PCS   |
| CNCL125   | 125         | 125-130  | 4"     | M6*20          | 20*(1.3~1.5) | 42*27*25CM | 50PCS   |
| CNCL133   | 133         | 133-137  | 4"     | M6*20          | 20*(1.3~1.5) | 42*27*25CM | 50PCS   |
| CNCL140   | 140         | 138-142  | 5"     | M6*20          | 20*(1.3~1.5) | 42*27*25CM | 40PCS   |
| CNCL150   | 150         | 148-152  |        | M6*20          | 20*(1.3~1.5) | 42*27*25CM | 40PCS   |
| CNCL160   | 160         | 159-166  | 6"     | M6*20          | 20*(1.3~1.5) | 42*27*25CM | 30PCS   |
| CNCL200   | 200         | 200-212  | 8"     | M6*20          | 20*(1.3~1.5) | 42*27*25CM | 15PCS   |
| CNCL220   | 220         | 215-220  | 10"    | M6*20          | 20*(1.3~1.5) | 42*27*25CM | 15PCS   |
| CNCL250   | 250         | 248-253  | 10"    | M6*20          | 20*(1.3~1.5) | 42*27*25CM | 10PCS   |
| CNCL315   | 315         | 3128-318 | 10"    | M6*20          | 20*(1.3~1.5) | 42*27*25CM | 10PCS   |



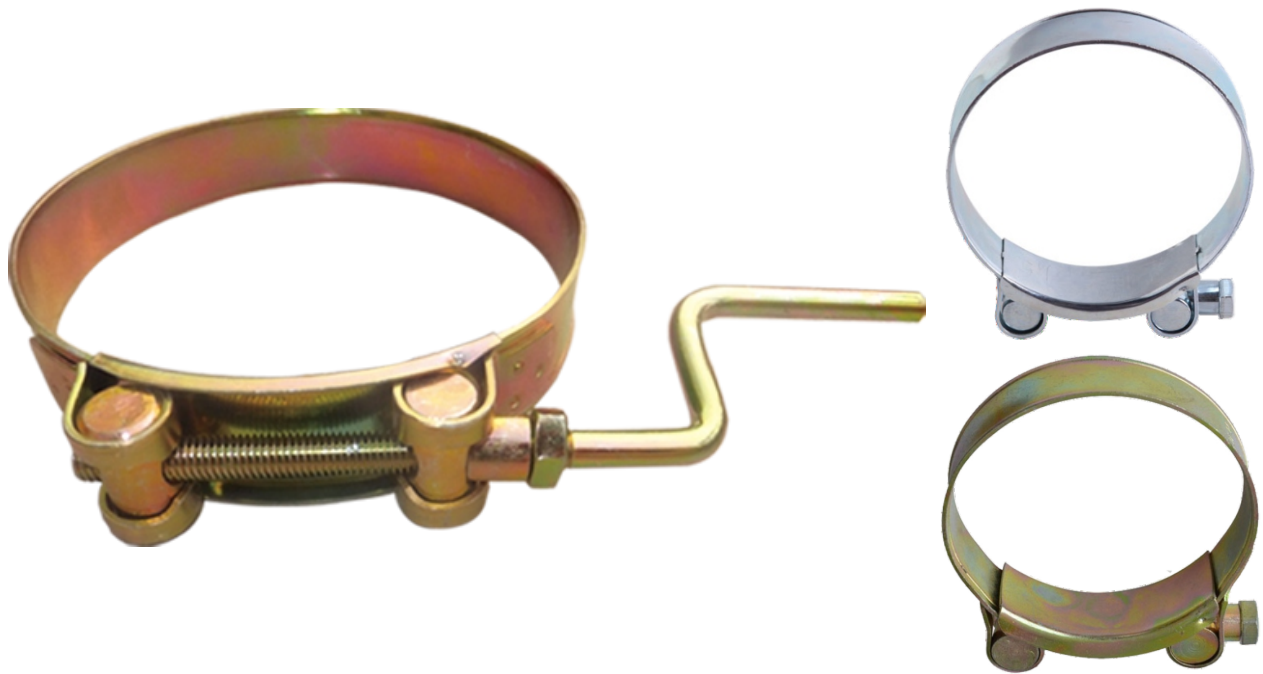
WELDING TYPE CLAMPS M8+10 WITHOUT RUBBER

| REFERENCE | DN SIZE(mm) | DIA(mm) | INCH   | TWO SIDE SCREW | W*T(mm)      | CTN SIZE   | PCS/CTN |
|-----------|-------------|---------|--------|----------------|--------------|------------|---------|
| CNCLWR018 | 18          | 15-19   | 3/8"   | M6*15          | 20*(1.3~2.0) | 42*27*13CM | 200PCS  |
| CNCLWR022 | 22          | 20-25   | 1/2"   | M6*15          | 20*(1.3~2.0) | 42*27*13CM | 200PCS  |
| CNCLWR028 | 28          | 26-30   | 3/4"   | M6*15          | 20*(1.3~2.0) | 42*27*13CM | 160PCS  |
| CNCLWR035 | 35          | 32-36   | 1"     | M6*15          | 20*(1.3~2.0) | 42*27*13CM | 120PCS  |
| CNCLWR040 | 40          | 38-43   | 1 1/4" | M6*15          | 20*(1.3~2.0) | 42*27*13CM | 120PCS  |
| CNCLWR048 | 48          | 47-51   | 1 1/2" | M6*15          | 20*(1.3~2.0) | 42*27*25CM | 180PCS  |
| CNCLWR054 | 54          | 53-58   |        | M6*15          | 20*(1.3~2.0) | 42*27*25CM | 175PCS  |
| CNCLWR060 | 60          | 60-64   | 2"     | M6*15          | 20*(1.3~2.0) | 42*27*25CM | 170PCS  |
| CNCLWR070 | 70          | 68-72   |        | M6*15          | 20*(1.3~2.0) | 42*27*25CM | 120PCS  |
| CNCLWR075 | 75          | 75-80   | 2 1/2" | M6*15          | 20*(1.3~2.0) | 42*27*25CM | 110PCS  |
| CNCLWR083 | 83          | 80-86   |        | M6*20          | 20*(1.3~2.0) | 42*27*25CM | 100PCS  |
| CNCLWR090 | 90          | 87-92   | 3"     | M6*20          | 20*(1.3~2.0) | 42*27*25CM | 100PCS  |
| CNCLWR100 | 100         | 96-101  | 3 1/2" | M6*20          | 20*(1.8~2.5) | 42*27*25CM | 100PCS  |
| CNCLWR110 | 110         | 105-111 |        | M6*20          | 20*(1.8~2.5) | 42*27*25CM | 60PCS   |
| CNCLWR115 | 115         | 109-116 | 4"     | M6*20          | 20*(1.8~2.5) | 42*27*25CM | 60PCS   |
| CNCLWR125 | 125         | 120-126 |        | M6*20          | 20*(1.8~2.5) | 42*27*25CM | 50PCS   |
| CNCLWR133 | 133         | 123-138 |        | M6*20          | 20*(1.8~2.5) | 42*27*25CM | 50PCS   |
| CNCLWR140 | 140         | 129-143 | 5"     | M6*20          | 20*(1.8~2.5) | 42*27*25CM | 40PCS   |
| CNCLWR150 | 150         | 145-150 |        | M6*20          | 20*(1.8~2.5) | 42*27*25CM | 40PCS   |
| CNCLWR160 | 160         | 157-161 | 6"     | M6*20          | 20*(1.8~2.5) | 42*27*25CM | 30PCS   |
| CNCLWR168 | 168         | 162-168 |        | M6*20          | 20*(1.8~2.5) | 42*27*25CM | 15PCS   |
| CNCLWR180 | 180         | 176-184 |        | M6*20          | 20*(1.8~2.5) | 42*27*25CM | 15PCS   |
| CNCLWR200 | 200         | 193-200 |        | M6*20          | 20*(1.8~2.5) | 42*27*25CM | 10PCS   |
| CNCLWR220 | 220         | 217-229 | 8"     | M6*20          | 20*(1.8~2.5) | 42*27*25CM | 10PCS   |
| CNCLWR224 | 224         | 221-228 |        | M6*20          | 20*(1.8~2.5) |            |         |
| CNCLWR250 | 250         | 246-254 |        | M6*20          | 20*(1.8~2.5) |            |         |
| CNCLWR280 | 280         | 276-284 |        | M6*20          | 20*(1.8~2.5) |            |         |
| CNCLWR300 | 300         | 296-304 |        | M6*20          | 20*(1.8~2.5) |            |         |
| CNCLWR315 | 315         | 310-319 |        | M6*20          | 20*(1.8~2.5) |            |         |
| CNCLWR355 | 355         | 351-359 |        | M6*20          | 20*(1.8~2.5) |            |         |
| CNCLWR400 | 400         | 394-404 |        | M6*20          | 20*(1.8~2.5) |            |         |
| CNCLWR450 | 450         | 445-454 |        | M6*20          | 20*(1.8~2.5) |            |         |
| CNCLWR500 | 500         | 495-504 |        | M6*20          | 20*(1.8~2.5) |            |         |
| CNCLWR560 | 560         | 555-564 |        | M6*20          | 20*(1.8~2.5) |            |         |
| CNCLWR600 | 600         | 594-604 |        | M6*20          | 20*(1.8~2.5) |            |         |
| CNCLWR630 | 630         | 625-634 |        | M6*20          | 20*(1.8~2.5) |            |         |
| CNCLWR710 | 710         | 705-714 |        | M6*20          | 20*(1.8~2.5) |            |         |

Single Ear Stepless Card Loop

| Item      | D     |       | Range( close-open) |             | Width | Thickness | Closing Force (N) | PCS/CTN |
|-----------|-------|-------|--------------------|-------------|-------|-----------|-------------------|---------|
|           | mm    | inch  | (mm)               | inch)       |       |           |                   |         |
| CNPSS65   | 6.5   | 0.256 | 5.3-6.5            | .209-.256   | 5mm   | 0.5mm     | 1000              | 20000   |
| CNPSS7    | 7     | 0.276 | 5.8-7.0            | .228-.276   | 5mm   | 0.5mm     | 1000              | 20000   |
| CNPSS75   | 7.5   | 0.295 | 6.3-7.5            | .248-.295   | 5mm   | 0.5mm     | 1000              | 20000   |
| CNPSS8    | 8     | 0.315 | 6.8-8.0            | .268-.315   | 5mm   | 0.5mm     | 1000              | 20000   |
| CNPSS8.7  | 8.7   | 0.343 | 7.0-8.7            | .276-.343   | 5mm   | 0.5mm     | 1000              | 20000   |
| CNPSS9    | 9     | 0.354 | 7.3-9.0            | .287-.354   | 5mm   | 0.5mm     | 1000              | 20000   |
| CNPSS95   | 9.5   | 0.374 | 7.8-9.5            | .307-.374   | 5mm   | 0.5mm     | 1000              | 20000   |
| CNPSS10   | 10    | 0.394 | 8.3-10.0           | .327-.394   | 5mm   | 0.5mm     | 1000              | 10000   |
| CNPSS105  | 10.5  | 0.413 | 8.8-10.5           | .346-.413   | 5mm   | 0.5mm     | 1000              | 10000   |
| CNPSS109  | 10.9  | 0.429 | 9.2-10.9           | .362-.429   | 5mm   | 0.5mm     | 1000              | 10000   |
| CNPSS113  | 11.3  | 0.445 | 9.6-11.3           | .378-.445   | 5mm   | 0.5mm     | 1000              | 10000   |
| CNPSS118  | 11.8  | 0.465 | 10.1-11.8          | .398-.465   | 5mm   | 0.5mm     | 1000              | 10000   |
| CNPSS119  | 11.9  | 0.469 | 9.4-11.9           | .370-.469   | 7mm   | 0.6mm     | 2100              | 5000    |
| CNPSS123  | 12.3  | 0.484 | 9.8-12.3           | .386-.484   | 7mm   | 0.6mm     | 2100              | 5000    |
| CNPSS128  | 12.8  | 0.504 | 10.3-12.8          | .406-.504   | 7mm   | 0.6mm     | 2100              | 5000    |
| CNPSS133  | 13.3  | 0.524 | 10.8-13.3          | .425-.524   | 7mm   | 0.6mm     | 2100              | 5000    |
| CNPSS138  | 13.8  | 0.543 | 11.3-13.8          | .445-.543   | 7mm   | 0.6mm     | 2100              | 5000    |
| CNPSS14   | 14    | 0.551 | 11.5-14.0          | .453-.551   | 7mm   | 0.6mm     | 2100              | 5000    |
| CNPSS142  | 14.2  | 0.559 | 11.7-14.2          | .461-.559   | 7mm   | 0.6mm     | 2100              | 5000    |
| CNPSS145  | 14.5  | 0.571 | 12.0-14.5          | .472-.571   | 7mm   | 0.6mm     | 2100              | 5000    |
| CNPSS148  | 14.8  | 0.583 | 12.3-14.8          | .484-.583   | 7mm   | 0.6mm     | 2100              | 5000    |
| CNPSS153  | 15.3  | 0.602 | 12.8-15.3          | .504-.602   | 7mm   | 0.6mm     | 2100              | 5000    |
| CNPSS157  | 15.7  | 0.618 | 13.2-15.7          | .520-.618   | 7mm   | 0.6mm     | 2100              | 5000    |
| CNPSS16   | 16    | 0.63  | 13.5-16.0          | .531-.630   | 7mm   | 0.6mm     | 2100              | 5000    |
| CNPSS162  | 16.2  | 0.638 | 13.7-16.2          | .539-.638   | 7mm   | 0.6mm     | 2100              | 5000    |
| CNPSS166  | 16.6  | 0.654 | 14.1-16.6          | .555-.654   | 7mm   | 0.6mm     | 2100              | 5000    |
| CNPSS168  | 16.8  | 0.661 | 14.3-16.8          | .563-.661   | 7mm   | 0.6mm     | 2100              | 5000    |
| CNPSS17   | 17    | 0.669 | 14.5-17.0          | .571-.669   | 7mm   | 0.6mm     | 2100              | 5000    |
| CNPSS175  | 17.5  | 0.689 | 15.0-17.5          | .591-.689   | 7mm   | 0.6mm     | 2100              | 5000    |
| CNPSS178  | 17.8  | 0.701 | 14.6-17.8          | .575-.701   | 7mm   | 0.6mm     | 2400              | 5000    |
| CNPSS18   | 18    | 0.709 | 14.8-18.0          | .583-.709   | 7mm   | 0.6mm     | 2400              | 5000    |
| CNPSS185  | 18.5  | 0.728 | 15.3-18.5          | .602-.728   | 7mm   | 0.6mm     | 2400              | 5000    |
| CNPSS192  | 19.2  | 0.756 | 16.0-19.2          | .630-.756   | 7mm   | 0.6mm     | 2400              | 5000    |
| CNPSS198  | 19.8  | 0.78  | 16.6-19.8          | .654-.780   | 7mm   | 0.6mm     | 2400              | 5000    |
| CNPSS21   | 21    | 0.827 | 17.8-21.0          | .701-.827   | 7mm   | 0.6mm     | 2400              | 5000    |
| CNPSS226  | 22.6  | 0.89  | 19.4-22.6          | .764-.890   | 7mm   | 0.6mm     | 2400              | 5000    |
| CNPSS235  | 23.5  | 0.925 | 20.3-23.5          | .799-.925   | 7mm   | 0.6mm     | 2400              | 5000    |
| CNPSS241  | 24.1  | 0.949 | 20.9-24.1          | .823-.949   | 7mm   | 0.6mm     | 2400              | 5000    |
| CNPSS256  | 25.6  | 1.008 | 22.4-25.6          | .882-1.008  | 7mm   | 0.6mm     | 2400              | 5000    |
| CNPSS271  | 27.1  | 1.067 | 23.9-27.1          | .941-1.067  | 7mm   | 0.6mm     | 2400              | 5000    |
| CNPSS286  | 28.6  | 1.126 | 25.4-28.6          | 1.000-1.126 | 7mm   | 0.6mm     | 2400              | 5000    |
| CNPSS301  | 30.1  | 1.185 | 26.9-30.1          | 1.059-1.185 | 7mm   | 0.6mm     | 2400              | 5000    |
| CNPSS308  | 30.8  | 1.213 | 27.6-30.8          | 1.087-1.213 | 7mm   | 0.6mm     | 2400              | 2000    |
| CNPSS316  | 31.6  | 1.244 | 28.4-31.6          | 1.118-1.244 | 7mm   | 0.6mm     | 2400              | 2000    |
| CNPSS331  | 33.1  | 1.303 | 29.9-33.1          | 1.177-1.303 | 7mm   | 0.6mm     | 2400              | 2000    |
| CNPSS346  | 34.6  | 1.362 | 31.4-34.6          | 1.236-1.362 | 7mm   | 0.6mm     | 2400              | 2000    |
| CNPSS361  | 36.1  | 1.421 | 32.9-36.1          | 1.295-1.421 | 7mm   | 0.6mm     | 2400              | 2000    |
| CNPSS376  | 37.6  | 1.48  | 34.4-37.6          | 1.354-1.480 | 7mm   | 0.6mm     | 2400              | 2000    |
| CNPSS381  | 38.1  | 1.5   | 34.9-38.1          | 1.374-1.500 | 7mm   | 0.6mm     | 2400              | 2000    |
| CNPSS396  | 39.6  | 1.559 | 36.4-39.6          | 1.433-1.559 | 7mm   | 0.6mm     | 2400              | 2000    |
| CNPSS41   | 41    | 1.614 | 37.8-41.0          | 1.488-1.614 | 7mm   | 0.6mm     | 2400              | 1000    |
| CNPSS425  | 42.5  | 1.673 | 39.3-42.5          | 1.547-1.673 | 7mm   | 0.6mm     | 2400              | 1000    |
| CNPSS44   | 44    | 1.732 | 40.8-44.0          | 1.606-1.732 | 7mm   | 0.6mm     | 2400              | 1000    |
| CNPSS455  | 45.5  | 1.791 | 42.3-45.5          | 1.665-1.791 | 7mm   | 0.6mm     | 2400              | 1000    |
| CNPSS47   | 47    | 1.85  | 43.8-47.0          | 1.724-1.850 | 7mm   | 0.6mm     | 2400              | 1000    |
| CNPSS485  | 48.5  | 1.909 | 45.3-48.5          | 1.783-1.909 | 7mm   | 0.6mm     | 2400              | 1000    |
| CNPSS50   | 50    | 1.969 | 46.8-50.0          | 1.843-1.969 | 7mm   | 0.6mm     | 2400              | 1000    |
| CNPSS515  | 51.5  | 2.028 | 48.3-51.5          | 1.902-2.028 | 7mm   | 0.6mm     | 2400              | 1000    |
| CNPSS53   | 53    | 2.087 | 49.8-53.0          | 1.961-2.087 | 7mm   | 0.6mm     | 2400              | 1000    |
| CNPSS545  | 54.5  | 2.146 | 51.3-54.5          | 2.020-2.146 | 7mm   | 0.6mm     | 2400              | 1000    |
| CNPSS56   | 56    | 2.205 | 52.8-56.0          | 2.079-2.205 | 7mm   | 0.6mm     | 2400              | 1000    |
| CNPSS575  | 57.5  | 2.264 | 54.3-57.5          | 2.138-2.264 | 7mm   | 0.6mm     | 2400              | 1000    |
| CNPSS59   | 59    | 2.323 | 55.8-59.0          | 2.197-2.323 | 7mm   | 0.6mm     | 2400              | 1000    |
| CNPSS605  | 60.5  | 2.382 | 57.3-60.5          | 2.260-2.382 | 7mm   | 0.6mm     | 2400              | 500     |
| CNPSS815  | 81.5  | 3.209 | 78.3-81.5          | 3.083-3.209 | 7mm   | 0.6mm     | 7000              | 500     |
| CNPSS845  | 84.5  | 3.327 | 81.3-84.5          | 3.201-3.327 | 7mm   | 0.6mm     | 7000              | 500     |
| CNPSS875  | 87.5  | 3.445 | 84.3-87.5          | 3.319-3.445 | 7mm   | 0.6mm     | 7000              | 500     |
| CNPSS89   | 89    | 3.504 | 85.8-89.0          | 3.378-3.504 | 7mm   | 0.6mm     | 7000              | 500     |
| CNPSS92   | 92.0  | 3.622 | 88.8-92.0          | 3.496-3.622 | 7mm   | 0.6mm     | 7000              | 500     |
| CNPSS95   | 95    | 3.74  | 91.8-95.0          | 3.614-3.740 | 7mm   | 0.6mm     | 7000              | 500     |
| CNPSS965  | 96.5  | 3.799 | 93.3-96.5          | 3.673-3.799 | 7mm   | 0.6mm     | 7000              | 500     |
| CNPSS995  | 99.5  | 3.917 | 96.3-99.5          | 3.791-3.917 | 7mm   | 0.6mm     | 7000              | 500     |
| CNPSS101  | 101   | 3.976 | 97.8-101.0         | 3.850-3.976 | 7mm   | 0.6mm     | 7000              | 500     |
| CNPSS107  | 107   | 4.213 | 103.8-107          | 4.087-4.213 | 7mm   | 0.6mm     | 7000              | 500     |
| CNPSS1145 | 114.5 | 4.508 | 111.3-114.5        | 4.382-4.508 | 7mm   | 0.6mm     | 7000              | 500     |





Powerover Type Hose Clamp Single Bolt Heavy Duty with Solid Nut

| Size    | Screw Size | W1       | W1 Reference | W2,W4,W5 | W2 Reference | W4 Reference | W5 Reference | Torque | CTN SIZE   | PCS/CTN |
|---------|------------|----------|--------------|----------|--------------|--------------|--------------|--------|------------|---------|
| 17-19   | M5*40      | 0.6*18mm | W11719       | 0.5*18mm | W21719       | W41719       | W51719       | 4.5Nm  | 31*22*13CM | 200     |
| 20-22   | M5*40      | 0.6*18mm | W12022       | 0.5*18mm | W22022       | W42022       | W52022       | 4.5Nm  | 31*22*13CM | 200     |
| 23-25   | M5*40      | 0.6*18mm | W12325       | 0.5*18mm | W22325       | W42325       | W52325       | 4.5Nm  | 30*25*12CM | 200     |
| 25-27   | M5*40      | 0.6*18mm | W12527       | 0.5*18mm | W22527       | W42527       | W52527       | 4.5Nm  | 36*25*12CM | 200     |
| 26-28   | M5*40      | 0.6*18mm | W12628       | 0.5*18mm | W22628       | W42628       | W52628       | 4.5Nm  | 36*25*12CM | 200     |
| 29-31   | M6*50      | 0.8*20mm | W12931       | 0.6*20mm | W22931       | W42931       | W52931       | 15Nm   | 36*25*12CM | 200     |
| 30-33   | M6*50      | 0.8*20mm | W13033       | 0.6*20mm | W23033       | W43033       | W53033       | 15Nm   | 36*25*15CM | 200     |
| 32-35   | M6*50      | 0.8*20mm | W13235       | 0.6*20mm | W23235       | W43235       | W53235       | 15Nm   | 36*25*15CM | 200     |
| 36-39   | M6*50      | 0.8*20mm | W13639       | 0.6*20mm | W23639       | W43639       | W53639       | 15Nm   | 36*25*15CM | 200     |
| 40-43   | M6*50      | 0.8*20mm | W14043       | 0.6*20mm | W24043       | W44043       | W54043       | 15Nm   | 27*22*12CM | 100     |
| 44-47   | M6*55      | 1.2*22mm | W14447       | 0.8*22mm | W24447       | W44447       | W54447       | 15Nm   | 33*23*13CM | 100     |
| 48-51   | M6*55      | 1.2*22mm | W14851       | 0.8*22mm | W24851       | W44851       | W54851       | 15Nm   | 33*26*14CM | 100     |
| 52-55   | M6*55      | 1.2*22mm | W15255       | 0.8*22mm | W25255       | W45255       | W55255       | 15Nm   | 33*26*14CM | 100     |
| 56-59   | M6*55      | 1.2*22mm | W15659       | 0.8*22mm | W25659       | W45659       | W55659       | 15Nm   | 33*26*15CM | 100     |
| 60-63   | M6*55      | 1.2*22mm | W16063       | 0.8*22mm | W26063       | W46063       | W56063       | 15Nm   | 33*28*16CM | 100     |
| 64-67   | M8*70      | 1.5*22mm | W16467       | 0.8*22mm | W26467       | W46467       | W56467       | 15Nm   | 33*25*17CM | 100     |
| 68-73   | M8*70      | 1.5*24mm | W16873       | 0.8*24mm | W26873       | W46873       | W56873       | 25Nm   | 40*28*19CM | 100     |
| 74-79   | M8*70      | 1.5*24mm | W17479       | 0.8*24mm | W27479       | W47479       | W57479       | 25Nm   | 35*17*20CM | 50      |
| 80-85   | M8*70      | 1.5*24mm | W18085       | 0.8*24mm | W28085       | W48085       | W58085       | 25Nm   | 35*18*21CM | 50      |
| 86-91   | M8*70      | 1.5*24mm | W18691       | 0.8*24mm | W28691       | W48691       | W58691       | 25Nm   | 35*19*23CM | 50      |
| 92-97   | M8*70      | 1.5*24mm | W19297       | 0.8*24mm | W29297       | W49297       | W59297       | 25Nm   | 35*21*24CM | 50      |
| 98-103  | M8*70      | 1.5*24mm | W198103      | 0.8*24mm | W298103      | W498103      | W598103      | 25Nm   | 35*21*24CM | 50      |
| 104-112 | M8*80      | 1.5*24mm | W1104112     | 0.8*24mm | W2104112     | W4104112     | W5104112     | 25Nm   | 35*24*27CM | 50      |
| 113-121 | M8*80      | 1.5*24mm | W1113121     | 0.8*24mm | W2113121     | W4113121     | W5113121     | 25Nm   | 36*26*29CM | 50      |
| 122-130 | M8*80      | 1.5*24mm | W1122130     | 0.8*24mm | W2122130     | W4122130     | W5122130     | 25Nm   | 35*28*31CM | 50      |
| 131-139 | M10*90     | 1.7*26mm | W1131139     | 1.0*26mm | W2131139     | W4131139     | W5131139     | 40Nm   | 37*30*33CM | 50      |
| 140-148 | M10*90     | 1.7*26mm | W1140148     | 1.0*26mm | W2140148     | W4140148     | W5140148     | 40Nm   | 37*32*35CM | 50      |
| 149-161 | M10*110    | 1.7*26mm | W1149161     | 1.0*26mm | W2149161     | W4149161     | W5149161     | 40Nm   | 37*33*36CM | 50      |
| 162-174 | M10*110    | 1.7*26mm | W1162174     | 1.0*26mm | W2162174     | W4162174     | W5162174     | 40Nm   | 37*37*38CM | 25      |
| 175-187 | M10*110    | 1.7*26mm | W1175187     | 1.0*26mm | W2175187     | W4175187     | W5175187     | 40Nm   | 39*38*21CM | 25      |
| 188-200 | M10*110    | 1.7*26mm | W1188200     | 1.0*26mm | W2188200     | W4188200     | W5188200     | 40Nm   | 42*40*23CM | 25      |
| 201-213 | M10*110    | 1.7*26mm | W1201213     | 1.0*26mm | W2201213     | W4201213     | W5201213     | 40Nm   | 43*38*24CM | 25      |
| 214-226 | M10*110    | 1.7*26mm | W1214226     | 1.0*26mm | W2214226     | W4214226     | W5214226     | 40Nm   | 46*39*25CM | 25      |
| 227-239 | M10*110    | 1.7*26mm | W1227239     | 1.0*26mm | W2227239     | W4227239     | W5227239     | 40Nm   | 50*40*26CM | 25      |
| 240-252 | M10*110    | 1.7*26mm | W1240252     | 1.0*26mm | W2240252     | W4240252     | W5240252     | 40Nm   | 52*40*28CM | 25      |

Powerover Type Hose Clamp Single Bolt Heavy Duty with Solid Nut

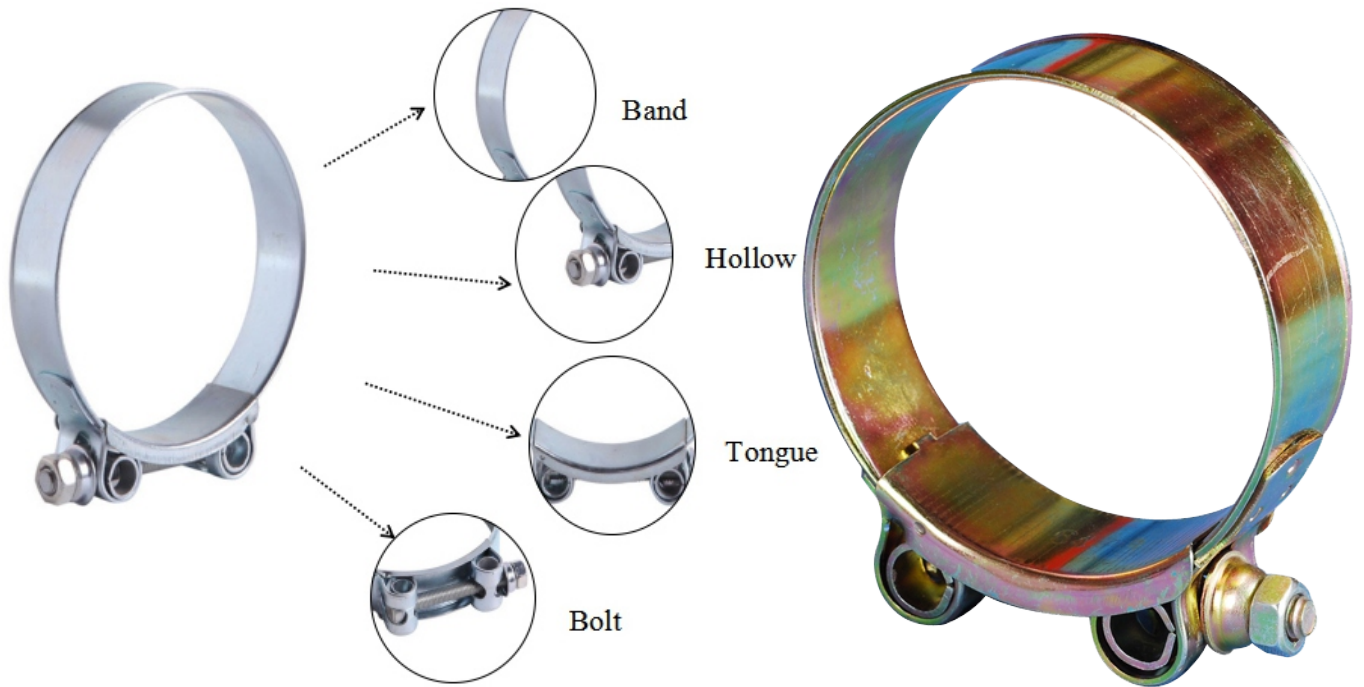
W1-Galvanized Steel

W4-All ANSI 300 series stainless steel

| Material | Band             | Bridge           | Trunnion         | Sleeving         | Bolt             |
|----------|------------------|------------------|------------------|------------------|------------------|
| W1       | Galvanized Steel | Galvanized Steel | Galvanized Steel | Galvanized Steel | Galvanized Steel |
| W2       | AISI 430ss       | AISI 430ss       | Galvanized Steel | Galvanized Steel | Galvanized Steel |
| W4       | AISI 301ss/304ss | AISI 301ss/304ss | AISI 301ss/304ss | AISI 301ss/304ss | A2-70            |
| W5       | AISI 316ss       | AISI 316ss       | AISI 316ss       | AISI 316ss       | A4-70            |

Bandwidth: 18mm,20mm,22mm,24mm,26mm

Thickness: 0.6mm,0.8mm,1.0mm,1.2mm,1.5mm,1.7mm



Unitary Clamp with Hollow Shaft

| Range<br>mm | Screw Size | W1           | W12         | W2/W4        | W2          | W4          | Suggested<br>Install Torque | pes/CTN |
|-------------|------------|--------------|-------------|--------------|-------------|-------------|-----------------------------|---------|
|             |            | Band T*W(mm) | Reference   | Band T*W(mm) | Reference   | Reference   |                             |         |
| 17-19       | M5*40mm    | 0.6*18       | QL03A1719   | 0.6*18       | QL03B1719   | QL03D1719   | 4.5Nm                       | 200     |
| 20-22       | M5*40mm    | 0.6*18       | QL03A2022   | 0.6*18       | QL03B2022   | QL03D2022   |                             | 200     |
| 23-25       | M5*40mm    | 0.6*18       | QL03A2325   | 0.6*18       | QL03B2325   | QL03D2325   |                             | 200     |
| 26-28       | M5*40mm    | 0.6*18       | QL03A2628   | 0.6*18       | QL03B2628   | QL03D2628   |                             | 200     |
| 29-31       | M6*50mm    | 0.8*20       | QL03A2931   | 0.6*20       | QL03B2931   | QL03D2931   | 9Nm                         | 200     |
| 32-35       | M6*50mm    | 0.8*20       | QL03A3235   | 0.6*20       | QL03B3235   | QL03D3235   |                             | 200     |
| 36-39       | M6*50mm    | 0.8*20       | QL03A3639   | 0.6*20       | QL03B3639   | QL03D3639   |                             | 200     |
| 40-43       | M6*50mm    | 0.8*20       | QL03A4043   | 0.6*20       | QL03B4043   | QL03D4043   |                             | 200     |
| 44-47       | M6*55mm    | 1.2*22       | QL03A4447   | 0.8*22       | QL03B4447   | QL03D4447   | 18Nm                        | 100     |
| 48-51       | M6*55mm    | 1.2*22       | QL03A4851   | 0.8*22       | QL03B4851   | QL03D4851   |                             | 100     |
| 52-55       | M6*55mm    | 1.2*22       | QL03A5255   | 0.8*22       | QL03B5255   | QL03D5255   |                             | 100     |
| 56-59       | M6*55mm    | 1.2*22       | QL03A5659   | 0.8*22       | QL03B5659   | QL03D5659   |                             | 100     |
| 60-63       | M6*55mm    | 1.2*22       | QL03A6063   | 0.8*22       | QL03B6063   | QL03D6063   | 29Nm                        | 100     |
| 64-67       | M8*70mm    | 1.5*22       | QL03A6467   | 0.8*22       | QL03B6467   | QL03D6467   |                             | 100     |
| 68-73       | M8*70mm    | 1.5*24       | QL03A6873   | 0.8*24       | QL03B6873   | QL03D6873   |                             | 100     |
| 74-79       | M8*70mm    | 1.5*24       | QL03A7479   | 0.8*24       | QL03B7479   | QL03D7479   |                             | 50      |
| 80-85       | M8*70mm    | 1.5*24       | QL03A8085   | 0.8*24       | QL03B8085   | QL03D8085   | 29Nm                        | 50      |
| 86-91       | M8*70mm    | 1.5*24       | QL03A8691   | 0.8*24       | QL03B8691   | QL03D8691   |                             | 50      |
| 92-97       | M8*70mm    | 1.5*24       | QL03A9297   | 0.8*24       | QL03B9297   | QL03D9297   |                             | 50      |
| 98-103      | M8*70mm    | 1.5*24       | QL03A98103  | 0.8*24       | QL03B98103  | QL03D98103  |                             | 50      |
| 104-112     | M8*80mm    | 1.5*24       | QL03A104112 | 0.8*24       | QL03B104112 | QL03D104112 | 29Nm                        | 50      |
| 113-121     | M8*80mm    | 1.5*24       | QL03A113121 | 0.8*24       | QL03B113121 | QL03D113121 |                             | 50      |
| 122-130     | M8*80mm    | 1.5*24       | QL03A122130 | 0.8*24       | QL03B122130 | QL03D122130 |                             | 50      |
| 131-139     | M10*90mm   | 1.7*26       | QL03A131139 | 1.0*26       | QL03B131139 | QL03D131139 |                             | 50      |
| 140-148     | M10*90mm   | 1.7*26       | QL03A140148 | 1.0*26       | QL03B140148 | QL03D140148 | 29Nm                        | 50      |
| 149-161     | M10*110mm  | 1.7*26       | QL03A149161 | 1.0*26       | QL03B149161 | QL03D149161 |                             | 50      |
| 162-174     | M10*110mm  | 1.7*26       | QL03A162174 | 1.0*26       | QL03B162174 | QL03D162174 |                             | 25      |
| 175-187     | M10*110mm  | 1.7*26       | QL03A175187 | 1.0*26       | QL03B175187 | QL03D175187 |                             | 25      |
| 188-200     | M10*110mm  | 1.7*26       | QL03A188200 | 1.0*26       | QL03B188200 | QL03D188200 | 29Nm                        | 25      |
| 201-231     | M10*110mm  | 1.7*26       | QL03A201231 | 1.0*26       | QL03B201231 | QL03D201231 |                             | 25      |
| 214-226     | M10*110mm  | 1.7*26       | QL03A214226 | 1.0*26       | QL03B214226 | QL03D214226 |                             | 25      |
| 227-239     | M10*110mm  | 1.7*26       | QL03A227239 | 1.0*26       | QL03B227239 | QL03D227239 |                             | 25      |
| 240-252     | M10*110mm  | 1.7*26       | QL03A240252 | 1.0*26       | QL03B240252 | QL03D240252 | 25                          |         |



### Heavy Duty Double Bolt Hose Clamp QL05

| Range(mm) | Bandwidth(mm) | Thickness(mm) | Screw size | W1 (Galvanized Steel) | W4(all 304SS) | W5(all 316SS) |
|-----------|---------------|---------------|------------|-----------------------|---------------|---------------|
| 35-45     | 20            | 0.8           | M6*45      | QL05A3545             | QL05D3545     | QL05E3545     |
| 40-50     | 20            | 0.8           | M6*45      | QL05A4050             | QL05D4050     | QL05E4050     |
| 45-55     | 20            | 0.8           | M6*45      | QL05A4555             | QL05D4555     | QL05E4555     |
| 50-60     | 20            | 0.8           | M6*45      | QL05A5060             | QL05D5060     | QL05E5060     |
| 55-65     | 20            | 0.8           | M6*45      | QL05A5565             | QL05D5565     | QL05E5565     |
| 60-70     | 20            | 0.8           | M6*45      | QL05A6070             | QL05D6070     | QL05E6070     |
| 65-75     | 20            | 0.8           | M6*45      | QL05A6575             | QL05D6575     | QL05E6575     |
| 70-80     | 20            | 0.8           | M6*45      | QL05A7080             | QL05D7080     | QL05E7080     |
| 75-85     | 20            | 0.8           | M6*45      | QL05A7585             | QL05D7585     | QL05E7585     |
| 80-90     | 20            | 0.8           | M6*45      | QL05A8090             | QL05D8090     | QL05E8090     |
| 85-95     | 20            | 0.8           | M6*45      | QL05A8595             | QL05D8595     | QL05E8595     |
| 60-70     | 24            | 1             | M8*60      | QL05A6070             | QL05D6070     | QL05E6070     |
| 65-75     | 24            | 1             | M8*60      | QL05A6575             | QL05D6575     | QL05E6575     |
| 70-80     | 24            | 1             | M8*60      | QL05A7080             | QL05D7080     | QL05E7080     |
| 75-85     | 24            | 1             | M8*60      | QL05A7585             | QL05D7585     | QL05E7585     |
| 80-90     | 24            | 1             | M8*60      | QL05A8090             | QL05D8090     | QL05E8090     |
| 85-95     | 24            | 1             | M8*60      | QL05A8595             | QL05D8595     | QL05E8595     |
| 90-100    | 24            | 1             | M8*60      | QL05A90100            | QL05D90100    | QL05E90100    |
| 95-105    | 24            | 1             | M8*60      | QL05A95105            | QL05D95105    | QL05E95105    |
| 100-110   | 24            | 1             | M8*60      | QL05A100110           | QL05D100110   | QL05E100110   |
| 105-115   | 24            | 1             | M8*60      | QL05A105115           | QL05D105115   | QL05E105115   |
| 110-120   | 24            | 1             | M8*60      | QL05A110120           | QL05D110120   | QL05E110120   |
| 115-125   | 24            | 1             | M8*60      | QL05A115125           | QL05D115125   | QL05E115125   |
| 120-130   | 24            | 1             | M8*60      | QL05A120130           | QL05D120130   | QL05E120130   |
| 130-140   | 24            | 1             | M8*60      | QL05A130140           | QL05D130140   | QL05E130140   |
| 140-150   | 24            | 1             | M8*60      | QL05A140150           | QL05D140150   | QL05E140150   |
| 150-160   | 24            | 1             | M8*60      | QL05A150160           | QL05D150160   | QL05E150160   |
| 160-170   | 24            | 1             | M8*60      | QL05A160170           | QL05D160170   | QL05E160170   |
| 170-180   | 24            | 1             | M8*60      | QL05A170180           | QL05D170180   | QL05E170180   |
| 180-190   | 24            | 1             | M8*60      | QL05A180190           | QL05D180190   | QL05E180190   |
| 190-200   | 24            | 1             | M8*60      | QL05A190200           | QL05D190200   | QL05E190200   |
| 200-210   | 24            | 1             | M8*60      | QL05A200210           | QL05D200210   | QL05E200210   |
| 210-220   | 24            | 1             | M8*60      | QL05A210220           | QL05D210220   | QL05E210220   |
| 220-230   | 24            | 1             | M8*60      | QL05A220230           | QL05D220230   | QL05E220230   |
| 230-240   | 24            | 1             | M8*60      | QL05A230240           | QL05D230240   | QL05E230240   |
| 240-250   | 24            | 1             | M8*60      | QL05A240250           | QL05D240250   | QL05E240250   |



老虎夹喉箍

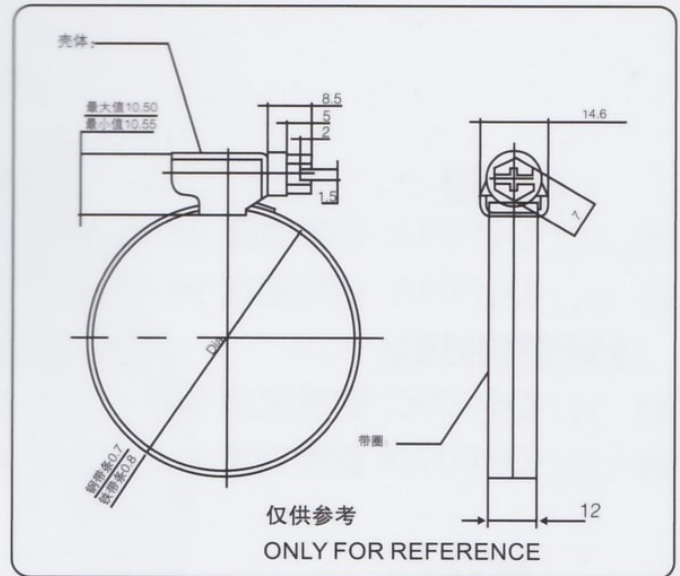
| Size(Decimal) | Size(inch) | D Size(mm) | Nut Size | Thickness | Wire Dia(mm) | PCS/CTN |
|---------------|------------|------------|----------|-----------|--------------|---------|
| 1             | 1"         | 34         | M4       | 1mm       | 6mm          | 700     |
| 1.2           | 1 1/4"     | 40         | M4       | 1mm       | 6mm          | 600     |
| 1.5           | 1 1/2"     | 50         | M5       | 1mm       | 6mm          | 480     |
| 2             | 2"         | 60         | M5       | 1mm       | 6mm          | 400     |
| 2.25          | 2 1/4"     | 73         | M5       | 1mm       | 6mm          | 300     |
| 2.5           | 2 1/2"     | 77         | M6       | 1.2mm     | 8mm          | 300     |
| 2.75          | 2 3/4"     | 85         | M6       | 1.2mm     | 8mm          | 200     |
| 3             | 3"         | 94         | M6       | 1.2mm     | 8mm          | 200     |
| 3.5           | 3 1/2"     | 102        | M6       | 1.2mm     | 8mm          | 200     |
| 4             | 4"         | 116        | M8       | 1.2mm     | 8mm          | 100     |
| 4.5           | 4 1/2"     | 130        | M8       | 1.2mm     | 8mm          | 100     |
| 5             | 5"         | 141        | M8       | 1.2mm     | 8mm          | 100     |
| 5.5           | 5 1/2"     | 155        | M8       | 1.2mm     | 8mm          | 100     |
| 6             | 6"         | 169        | M10      | 1.5mm     | 10mm         | 50      |
| 6.5           | 6 1/2"     | 188        | M10      | 1.5mm     | 10mm         | 50      |
| 7             | 7"         | 200        | M10      | 1.5mm     | 10mm         | 40      |
| 7.5           | 7 1/2"     | 210        | M10      | 1.5mm     | 10mm         | 40      |
| 8             | 8"         | 232        | M10      | 1.5mm     | 10mm         | 20      |
| 8.5           | 8 1/2"     | 240        | M10      | 1.5mm     | 10mm         | 20      |
| 9             | 9 )        | 252        | M10      | 1.5mm     | 10mm         | 20      |
| 9.5           | 9 1/2"     | 280        | M10      | 1.5mm     | 10mm         | 20      |
| 10            | 10"        | 290        | M10      | 1.5mm     | 10mm         | 20      |
| 10.5          | 10 1/2"    | 305        | M10      | 1.5mm     | 10mm         | 20      |
| 11            | 11"        | 315        | M10      | 1.5mm     | 10mm         | 20      |
| 11.5          | 11 1/2"    | 325        | M10      | 1.5mm     | 10mm         | 20      |
| 12            | 12"        | 330        | M10      | 1.5mm     | 10mm         | 20      |
| 13            | 13"        | 350        | M10      | 1.5mm     | 10mm         | 20      |
| 14            | 14"        | 370        | M10      | 1.5mm     | 10mm         | 20      |
| 15            | 15"        | 405        | M10      | 1.5mm     | 10mm         | 20      |
| 16            | 16"        | 420        | M10      | 1.5mm     | 10mm         | 20      |



9 mm Band Width German Hose Clamps Non-perforated with interlock housing design

| Range        | Max. inch | Band W*T         | Reference        | Reference        | Reference        | Reference        | PCS/CTN     | CTN SIZE        |
|--------------|-----------|------------------|------------------|------------------|------------------|------------------|-------------|-----------------|
| 8-12         | 1/2"      | 9mm*0.6mm        | DS09WA012        | DS09WB012        | DS09WD012        | DS09WE012        | 1000        | 32*27*14        |
| 10-16        | 5/8"      | 9mm*0.6mm        | DS09WA016        | DS09WB016        | DS09WD016        | DS09WE016        | 1000        | 32*27*14        |
| 13-19        | 9/13"     | 9mm*0.6mm        | DS09WA019        | DS09WB019        | DS09WD019        | DS09WE019        | 1000        | 32*27*14        |
| 12-20        | 3/4"      | 9mm*0.6mm        | DS09WA020        | DS09WB020        | DS09WD020        | DS09WE020        | 1000        | 32*27*14        |
| 12-22        | 7/8"      | 9mm*0.6mm        | DS09WA022        | DS09WB022        | DS09WD022        | DS09WE022        | 1000        | 32*27*14        |
| <b>16-25</b> | <b>1"</b> | <b>9mm*0.6mm</b> | <b>DS09WA025</b> | <b>DS09WB025</b> | <b>DS09WD025</b> | <b>DS09WE025</b> | <b>1000</b> | <b>32*27*17</b> |
| 16-27        | 1-1/16"   | 9mm*0.6mm        | DS09WA027        | DS09WB027        | DS09WD027        | DS09WE027        | 1000        | 32*27*17        |
| 20-32        | 1-1/4"    | 9mm*0.6mm        | DS09WA032        | DS09WB032        | DS09WD032        | DS09WE032        | 1000        | 32*27*21        |
| 21-38        | 1-1/2"    | 9mm*0.6mm        | DS09WA038        | DS09WB038        | DS09WD038        | DS09WE038        | 500         | 32*27*28        |
| 25-40        | 1-5/8"    | 9mm*0.6mm        | DS09WA040        | DS09WB040        | DS09WD040        | DS09WE040        | 500         | 32*27*29        |
| 30-45        | 1-3/4"    | 9mm*0.6mm        | DS09WA045        | DS09WB045        | DS09WD045        | DS09WE045        | 500         | 32*27*21        |
| 32-50        | 2"        | 9mm*0.6mm        | DS09WA050        | DS09WB050        | DS09WD050        | DS09WE050        | 500         | 32*27*21        |
| 40-60        | 2-3/8"    | 9mm*0.6mm        | DS09WA060        | DS09WB060        | DS09WD060        | DS09WE060        | 500         | 32*27*29        |
| 50-70        | 2-3/4"    | 9mm*0.6mm        | DS09WA070        | DS09WB070        | DS09WD070        | DS09WE070        | 500         | 32*27*34        |
| 60-80        | 3-1/8"    | 9mm*0.6mm        | DS09WA080        | DS09WB080        | DS09WD080        | DS09WE080        | 500         | 41*32*32        |
| 70-90        | 3-1/2"    | 9mm*0.6mm        | DS09WA090        | DS09WB090        | DS09WD090        | DS09WE090        | 500         | 40*37*30        |
| 80-100       | 4"        | 9mm*0.6mm        | DS09WA100        | DS09WB100        | DS09WD100        | DS09WE100        | 250         | 38*27*24        |
| 90-110       | 4-3/8"    | 9mm*0.6mm        | DS09WA110        | DS09WB110        | DS09WD110        | DS09WE110        | 250         | 38*27*29        |
| 100-120      | 4-3/4"    | 9mm*0.6mm        | DS09WA120        | DS09WB120        | DS09WD120        | DS09WE120        | 250         | 38*27*29        |
| 110-130      | 5-1/8"    | 9mm*0.6mm        | DS09WA130        | DS09WB130        | DS09WD130        | DS09WE130        | 250         | 38*27*34        |
| 120-140      | 5-1/2"    | 9mm*0.6mm        | DS09WA140        | DS09WB140        | DS09WD140        | DS09WE140        | 250         | 41*32*32        |
| 130-150      | 5-7/8"    | 9mm*0.6mm        | DS09WA150        | DS09WB150        | DS09WD150        | DS09WE150        | 250         | 40*37*30        |
| 140-160      | 6-1/4"    | 9mm*0.6mm        | DS09WA160        | DS09WB160        | DS09WD160        | DS09WE160        | 250         | 40*37*30        |
| 150-170      | 6.69"     | 9mm*0.6mm        | DS09WA170        | DS09WB170        | DS09WD170        | DS09WE170        | 250         | 40*37*34        |
| 160-180      |           | 9mm*0.6mm        | DS09WA180        | DS09WB180        | DS09WD180        | DS09WE180        |             |                 |
| 170-190      |           | 9mm*0.6mm        | DS09WA190        | DS09WB190        | DS09WD190        | DS09WE190        |             |                 |
| 180-200      |           | 9mm*0.6mm        | DS09WA200        | DS09WB200        | DS09WD200        | DS09WE200        |             |                 |

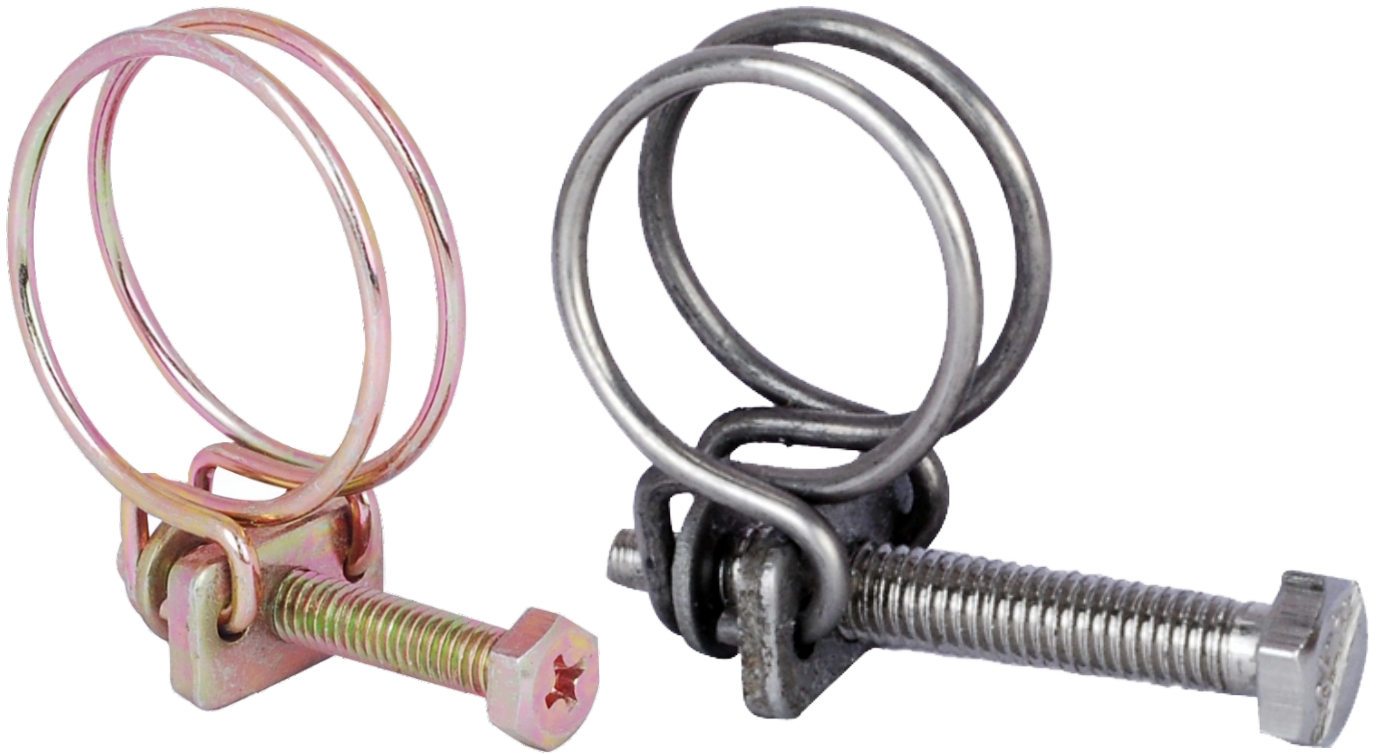




12 mm Band Width German Hose Clamps Non-perforated with interlock housing design

| Range   | Max. inch | Band W*T   | Reference | Reference | Reference | Reference | PCS/CTN | CTN SIZE |
|---------|-----------|------------|-----------|-----------|-----------|-----------|---------|----------|
| 10-16   |           | 12mm*0.7mm | DS12WA016 | DS12WB016 | DS12WD016 | DS12WE016 | 1000    |          |
| 12-20   |           | 12mm*0.7mm | DS12WA020 | DS12WB020 | DS12WD020 | DS12WE020 | 1000    |          |
| 16-25   | 1"        | 12mm*0.7mm | DS12WA025 | DS12WB025 | DS12WD025 | DS12WE025 | 1000    | 38*27*19 |
| 16-27   | 1-1/16"   | 12mm*0.7mm | DS12WA027 | DS12WB027 | DS12WD027 | DS12WE027 | 1000    | 32*27*14 |
| 20-32   | 1-1/4"    | 12mm*0.7mm | DS12WA032 | DS12WB032 | DS12WD032 | DS12WE032 | 1000    | 32*27*14 |
| 25-40   | 1-5/8"    | 12mm*0.7mm | DS12WA040 | DS12WB040 | DS12WD040 | DS12WE040 | 1000    | 32*27*17 |
| 30-45   | 1-3/4"    | 12mm*0.7mm | DS12WA045 | DS12WB045 | DS12WD045 | DS12WE045 | 1000    | 32*27*17 |
| 32-50   | 2"        | 12mm*0.7mm | DS12WA050 | DS12WB050 | DS12WD050 | DS12WE050 | 1000    | 32*27*21 |
| 40-60   | 2-3/8"    | 12mm*0.7mm | DS12WA060 | DS12WB060 | DS12WD060 | DS12WE060 | 500     | 32*27*28 |
| 50-70   | 2-3/4"    | 12mm*0.7mm | DS12WA070 | DS12WB070 | DS12WD070 | DS12WE070 | 500     | 32*27*29 |
| 60-80   | 3-1/8"    | 12mm*0.7mm | DS12WA080 | DS12WB080 | DS12WD080 | DS12WE080 | 500     | 32*27*21 |
| 70-90   | 3-1/2"    | 12mm*0.7mm | DS12WA090 | DS12WB090 | DS12WD090 | DS12WE090 | 500     | 32*27*21 |
| 80-100  | 4"        | 12mm*0.7mm | DS12WA100 | DS12WB100 | DS12WD100 | DS12WE100 | 500     | 32*27*29 |
| 90-110  | 4-3/8"    | 12mm*0.7mm | DS12WA110 | DS12WB110 | DS12WD110 | DS12WE110 | 500     | 32*27*34 |
| 100-120 | 4-3/4"    | 12mm*0.7mm | DS12WA120 | DS12WB120 | DS12WD120 | DS12WE120 | 500     | 41*32*32 |
| 110-130 | 5-1/8"    | 12mm*0.7mm | DS12WA130 | DS12WB130 | DS12WD130 | DS12WE130 | 500     | 40*37*30 |
| 120-140 | 5-1/2"    | 12mm*0.7mm | DS12WA140 | DS12WB140 | DS12WD140 | DS12WE140 | 250     | 38*27*24 |
| 130-150 | 5-7/8"    | 12mm*0.7mm | DS12WA150 | DS12WB150 | DS12WD150 | DS12WE150 | 250     | 38*27*29 |
| 140-160 | 6-1/4"    | 12mm*0.7mm | DS12WA160 | DS12WB160 | DS12WD160 | DS12WE160 | 250     | 38*27*29 |
| 150-170 |           | 12mm*0.7mm | DS12WA170 | DS12WB170 | DS12WD170 | DS12WE170 | 250     | 38*27*34 |
| 160-180 |           | 12mm*0.7mm | DS12WA180 | DS12WB180 | DS12WD180 | DS12WE180 | 250     | 41*32*32 |
| 170-190 |           | 12mm*0.7mm | DS12WA190 | DS12WB190 | DS12WD190 | DS12WE190 | 250     | 40*37*30 |
| 180-200 |           | 12mm*0.7mm | DS12WA200 | DS12WB200 | DS12WD200 | DS12WE200 | 250     | 40*37*30 |





Galvanized Steel Double Wire Hose Clamp

| Range   |             | W1             |            |              | W4             |            |              |          |          |             |
|---------|-------------|----------------|------------|--------------|----------------|------------|--------------|----------|----------|-------------|
| Size mm | Size inch   | Wire Dia. (mm) | Screw (mm) | W1 Reference | Wire Dia. (mm) | Screw (mm) | W4 Reference | PCS/ Bag | PCS/ CTN | CTN DIM(cm) |
| 11-14   | 0.43"-0.55" | 1.5            | M5x30      | DWHC13A1114  | 2              | M6x30      | DWHC13D1114  | 50       | 1000     | 32x27x14    |
| 13-16   | 0.51"-0.63" | 1.5            | M5x30      | DWHC13A1316  | 2              | M6x30      | DWHC13D1316  | 50       | 1000     | 32x27x14    |
| 15-18   | 0.59"-0.71" | 1.5            | M5x30      | DWHC13A1518  | 2              | M6x30      | DWHC13D1518  | 50       | 1000     | 32x27x14    |
| 17-20   | 0.67"-0.79" | 1.8            | M5x30      | DWHC13A1720  | 2              | M6x30      | DWHC13D1720  | 50       | 1000     | 32x27x14    |
| 19-22   | 0.75"-0.87" | 1.8            | M5x30      | DWHC13A1922  | 2              | M6x30      | DWHC13D1922  | 50       | 1000     | 38x27x17    |
| 20-24   | 0.79"-0.94" | 1.8            | M5x30      | DWHC13A2024  | 2              | M6x30      | DWHC13D2024  | 50       | 1000     | 38x27x17    |
| 22-26   | 0.87"-1.02" | 1.8            | M5x30      | DWHC13A2226  | 2              | M6x30      | DWHC13D2226  | 50       | 1000     | 38x27x17    |
| 24-28   | 0.94"-1.1"  | 1.8            | M5x30      | DWHC13A2428  | 2              | M6x35      | DWHC13D2428  | 50       | 1000     | 38x27x17    |
| 26-30   | 1.02"-1.18" | 2.2            | M6x40      | DWHC13A2630  | 2              | M6x35      | DWHC13D2630  | 50       | 500      | 38x27x19    |
| 28-32   | 1.1"-1.26"  | 2.2            | M6x40      | DWHC13A2832  | 2              | M6x40      | DWHC13D2832  | 50       | 500      | 38x27x19    |
| 31-35   | 1.22"-1.38" | 2.2            | M6x40      | DWHC13A3135  | 2              | M6x40      | DWHC13D3135  | 50       | 500      | 38x27x24    |
| 34-38   | 1.34"-1.5"  | 2.2            | M6x40      | DWHC13A3438  | 2              | M6x40      | DWHC13D3438  | 50       | 500      | 38x27x24    |
| 35-40   | 1.38"-1.57" | 2.2            | M6x40      | DWHC13A3540  | 2              | M6x40      | DWHC13D3540  | 50       | 500      | 38x27x24    |
| 37-42   | 1.46"-1.65" | 2.2            | M6x40      | DWHC13A3742  | 2              | M6x40      | DWHC13D3742  | 50       | 500      | 38x27x24    |
| 40-45   | 1.57"-1.77" | 2.2            | M6x40      | DWHC13A4045  | 2              | M6x40      | DWHC13D4045  | 50       | 500      | 38x27x24    |
| 43-48   | 1.67"-1.89" | 2.2            | M6x50      | DWHC13A4348  | 2              | M6x40      | DWHC13D4348  | 50       | 500      | 38x27x34    |
| 45-50   | 1.77"-1.97" | 2.2            | M6x50      | DWHC13A4550  | 2.3            | M6x40      | DWHC13D4550  | 25       | 500      | 38x27x34    |
| 47-52   | 1.85"-2.05" | 2.2            | M6x50      | DWHC13A4752  | 2.3            | M6x50      | DWHC13D4752  | 25       | 500      | 38x27x34    |
| 50-55   | 1.97"-2.17" | 2.2            | M6x50      | DWHC13A5055  | 2.3            | M6x50      | DWHC13D5055  | 25       | 500      | 38x27x34    |
| 53-58   | 2.09"-2.28" | 2.2            | M6x50      | DWHC13A5358  | 2.3            | M6x50      | DWHC13D5358  | 25       | 250      | 38x27x19    |
| 55-60   | 2.17"-2.36" | 2.2            | M6x60      | DWHC13A5560  | 2.3            | M6x50      | DWHC13D5560  | 25       | 250      | 38x27x19    |
| 54-62   | 2.13"-2.44" | 2.2            | M6x60      | DWHC13A5462  | 2.3            | M6x50      | DWHC13D5462  | 25       | 250      | 38x27x24    |
| 60-65   | 2.36"-2.56" | 2.2            | M6x60      | DWHC13A6065  | 2.3            | M6x50      | DWHC13D6065  | 25       | 250      | 38x27x24    |
| 63-68   | 2.48"-2.68" | 2.2            | M6x60      | DWHC13A6368  | 2.3            | M6x50      | DWHC13D6368  | 25       | 250      | 38x27x29    |
| 65-70   | 2.56"-2.76" | 2.2            | M6x70      | DWHC13A6570  | 2.3            | M6x50      | DWHC13D6570  | 25       | 250      | 38x27x29    |
| 70-75   | 2.76"-2.95" | 2.2            | M6x70      | DWHC13A7075  | 2.3            | M6x50      | DWHC13D7075  | 10       | 250      | 38x27x34    |
| 75-80   | 2.95"-3.15" | 2.2            | M6x70      | DWHC13A7580  | 2.3            | M6x50      | DWHC13D7580  | 10       | 250      | 38x27x34    |

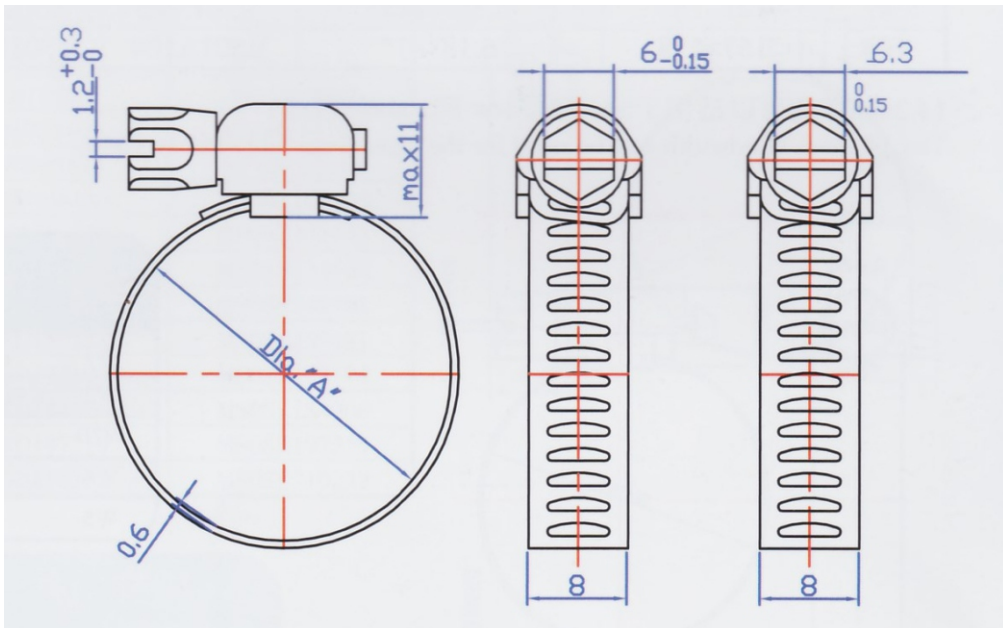


| Spring Hose Clamp |          |            |           |           |          |            |           |
|-------------------|----------|------------|-----------|-----------|----------|------------|-----------|
| Size (mm)         | Material | Band Width | Thickness | Size (mm) | Material | Band Width | Thickness |
| 3.5               | W1       | 6mm        | 0.5       | 19        | W1       | 12mm       | 1         |
| 4.0               | W1       | 6mm        | 0.5       | 20        | W1       | 12mm       | 1         |
| 4.5               | W1       | 6mm        | 0.5       | 22        | W1       | 15mm       | 1.2       |
| 5.5               | W1       | 6mm        | 0.5       | 24        | W1       | 15mm       | 1.2       |
| 6                 | W1       | 6mm        | 0.6       | 25        | W1       | 15mm       | 1.2       |
| 7                 | W1       | 8mm        | 0.6       | 28        | W1       | 15mm       | 1.5       |
| 8                 | W1       | 8mm        | 0.7       | 29        | W1       | 15mm       | 1.5       |
| 9                 | W1       | 8mm        | 0.7       | 30        | W1       | 15mm       | 1.5       |
| 10                | W1       | 8mm        | 0.7       | 32        | W1       | 15mm       | 1.5       |
| 11                | W1       | 8mm        | 0.7       | 36        | W1       | 15mm       | 1.5       |
| 12                | W1       | 10mm       | 0.8       | 44        | W1       | 15mm       | 1.7       |
| 13                | W1       | 10mm       | 0.8       | 47        | W1       | 15mm       | 1.7       |
| 14                | W1       | 10mm       | 1         | 50        | W1       | 15mm       | 1.7       |
| 15                | W1       | 12mm       | 1         | 52        | W1       | 15mm       | 1.7       |
| 16                | W1       | 12mm       | 1         | 53        | W1       | 15mm       | 1.7       |
| 17                | W1       | 12mm       | 1         | 60        | W1       | 15mm       | 1.7       |
| 18                | W1       | 12mm       | 1         |           |          |            |           |

Double Eea Hose Clamp

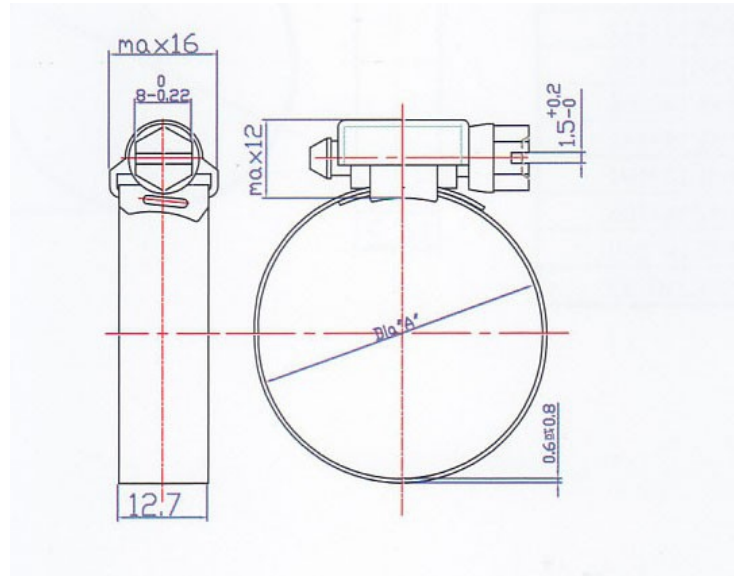
| Diameter Range (A) mm | Band Width (B) mm | Band Thickness (C) mm | W1 Part No. | W4 Part No. |
|-----------------------|-------------------|-----------------------|-------------|-------------|
| 5-7                   | 6                 | 0.6                   | W157        | W457        |
| 7-9                   | 6                 | 0.8                   | W179        | W479        |
| 9-11                  | 6.5               | 0.8                   | W1911       | W4911       |
| 11-13                 | 6.5               | 0.9                   | W1111       | W4111       |
| 13-15                 | 7                 | 1.0                   | W1131       | W4131       |
| 14-17                 | 7                 | 1.2                   | W1141       | W4141       |
| 15-18                 | 7.5               | 1.2                   | W1151       | W4151       |
| 17-20                 | 7.5               | 1.2                   | W1172       | W4172       |
| 18-21                 | 8                 | 1.2                   | W1182       | W4182       |
| 20-23                 | 8                 | 1.3                   | W1202       | W4202       |
| 22-25                 | 8.5               | 1.4                   | W1222       | W4222       |
| 23-27                 | 8.5               | 1.4                   | W1232       | W4232       |
| 25-28                 | 9                 | 1.4                   | W1252       | W4252       |
| 28-31                 | 9                 | 1.4                   | W1283       | W4283       |
| 31-34                 | 9.5               | 1.4                   | W1313       | W4313       |
| 34-37                 | 9.5               | 1.6                   | W1343       | W4343       |
| 37-40                 | 10                | 1.6                   | W1374       | W4374       |
| 40-43                 | 10                | 1.6                   | W1404       | W4404       |
| 43-45                 | 10.5              | 1.6                   | W1434       | W4434       |





America Type Hose Clamp Perforated XM01A

| Inch    | Range(mm) | Range(inch) | Band width | W1 Reference | W2 Reference | W4 Reference | W5 Reference | PCS/CTN |
|---------|-----------|-------------|------------|--------------|--------------|--------------|--------------|---------|
| 1/2"    | 6-13mm    |             | 8mm        | XM01A013     | XM01B013     | XM01D013     | XM01E013     |         |
| 5/8"    | 6-16mm    | 0.25"-0.62" | 8mm        | XM01A016     | XM01B016     | XM01D016     | XM01E016     | 2500    |
| 9/13"   | 10-18mm   |             | 8mm        | XM01A018     | XM01B018     | XM01D018     | XM01E018     |         |
| 3/4"    | 11-20mm   | 0.44"-0.78" | 8mm        | XM01A020     | XM01B020     | XM01D020     | XM01E020     | 1000    |
| 7/8"    | 13-23mm   | 0.5"-0.91"  | 8mm        | XM01A023     | XM01B023     | XM01D032     | XM01E032     | 1000    |
| 1"      | 16-25mm   |             | 8mm        | XM01A025     | XM01B025     | XM01D025     | XM01E025     |         |
| 1-1/16" | 14-27mm   | 0.56"-1.06" | 8mm        | XM01A027     | XM01B027     | XM01D027     | XM01E027     | 1000    |
| 1-1/4"  | 18-32mm   | 0.69"-1.25" | 8mm        | XM01A032     | XM01B032     | XM01D032     | XM01E032     | 1000    |
| 1 1/2"  | 21-38mm   |             | 8mm        | XM01A038     | XM01B038     | XM01D038     | XM01E038     |         |



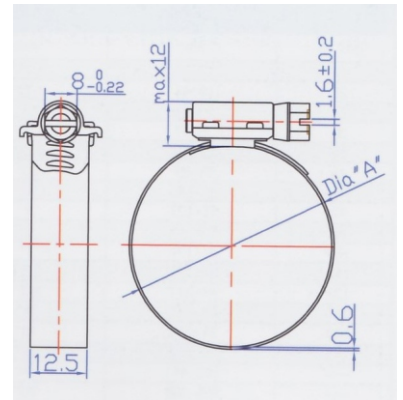
American Type Hose Clamp with Perforated and Interlock Design 12.7mm Band

| SAE No. | Band Width | Max Dia(inch) | Range(mm) | W1       | W2       | W4       | W5       | PCS/CTN | CTN SIZE |
|---------|------------|---------------|-----------|----------|----------|----------|----------|---------|----------|
| 6       | 12.7mm     | 0.44"-0.78"   | 11-20     | MS01A6   | MS01B6   | MS01D6   | MS01E6   | 1000    | 38*27*20 |
| 8       | 12.7mm     | 0.55"-0.91"   | 13-23     | MS01A8   | MS01B8   | MS01D8   | MS01E8   | 1000    | 38*27*24 |
| 10      | 12.7mm     | 0.56"-1.06"   | 14-27     | MS01A10  | MS01B10  | MS01D10  | MS01E10  | 1000    | 38*27*24 |
| 12      | 12.7mm     | 0.69"-1.25"   | 18-32     | MS01A12  | MS01B12  | MS01D12  | MS01E12  | 1000    | 38*27*24 |
| 16      | 12.7mm     | 0.81"-1.50"   | 21-38     | MS01A16  | MS01B16  | MS01D16  | MS01E16  | 1000    | 38*27*29 |
| 20      | 12.7mm     | 0.81"-1.75"   | 21-44     | MS01A20  | MS01B20  | MS01D20  | MS01E20  | 500     | 39*31*31 |
| 24      | 12.7mm     | 1.06"-2.00"   | 27-51     | MS01A24  | MS01B24  | MS01D24  | MS01E24  | 500     | 38*27*24 |
| 28      | 12.7mm     | 1.31"-2.25"   | 33-57     | MS01A28  | MS01B28  | MS01D28  | MS01E28  | 500     | 38*27*29 |
| 32      | 12.7mm     | 1.56"-2.50"   | 40-64     | MS01A32  | MS01B32  | MS01D32  | MS01E32  | 500     | 38*27*29 |
| 36      | 12.7mm     | 1.81"-2.75"   | 46-70     | MS01A36  | MS01B36  | MS01D36  | MS01E36  | 500     | 38*27*34 |
| 40      | 12.7mm     | 2.06"-3.00"   | 50-76     | MS01A40  | MS01B40  | MS01D40  | MS01E40  | 500     | 40*38*28 |
| 44      | 12.7mm     | 2.31"-3.25"   | 59-83     | MS01A44  | MS01B44  | MS01D44  | MS01E44  | 500     | 41*32*33 |
| 48      | 12.7mm     | 2.56"-3.50"   | 65-89     | MS01A48  | MS01B48  | MS01D48  | MS01E48  | 500     | 41*38*29 |
| 52      | 12.7mm     | 2.81"-3.75"   | 72-95     | MS01A52  | MS01B52  | MS01D52  | MS01E52  | 500     | 38*35*39 |
| 56      | 12.7mm     | 3.06"-4.00"   | 78-102    | MS01A56  | MS01B56  | MS01D56  | MS01E56  | 500     | 41*40*38 |
| 60      | 12.7mm     | 3.31"-4.25"   | 84-108    | MS01A60  | MS01B60  | MS01D60  | MS01E60  | 250     | 38*27*34 |
| 64      | 12.7mm     | 3.56"-4.50"   | 91-114    | MS01A64  | MS01B64  | MS01D64  | MS01E64  | 250     | 41*32*33 |
| 72      | 12.7mm     | 4.06"-5.00"   | 103-127   | MS01A72  | MS01B72  | MS01D72  | MS01E72  | 250     | 38*27*24 |
| 80      | 12.7mm     | 4.62"-5.50"   | 117-140   | MS01A80  | MS01B80  | MS01D80  | MS01E80  | 250     | 40*37*28 |
| 88      | 12.7mm     | 5.12"-6.00"   | 130-152   | MS01A88  | MS01B88  | MS01D88  | MS01E88  | 250     | 40*37*30 |
| 96      | 12.7mm     | 5.56"-6.50"   | 141-165   | MS01A96  | MS01B96  | MS01D96  | MS01E96  | 250     | 50*41*32 |
| 104     | 12.7mm     | 6.18"-7.00"   | 157-178   | MS01A104 | MS01B104 | MS01D104 | MS01E104 | 250     | 50*41*32 |

| Material | Band                   | Housing                | Screw                  | Suggested Install Torque N.m |
|----------|------------------------|------------------------|------------------------|------------------------------|
| W1       | Galvanized Steel       | Galvanized Steel       | Galvanized Steel       | 3.8N.m                       |
| W2       | ANSI 201SS/301SS       | ANSI 201SS/301SS       | Galvanized Steel       | 6N.m                         |
| W2B      | ANSI 201SS             | Galvanized Steel       | Galvanized Steel       | 6N.m                         |
| W4       | ANSI 201SS/301SS/304SS | ANSI 201SS/301SS/304SS | ANSI 201SS/301SS/304SS | 6N.m                         |
| W5       | ANSI 316SS             | ANSI 316SS             | ANSI 316SS             | 6N.m                         |

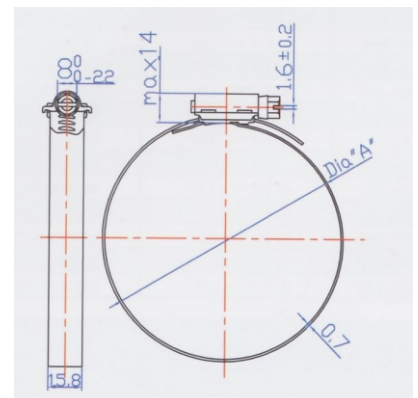
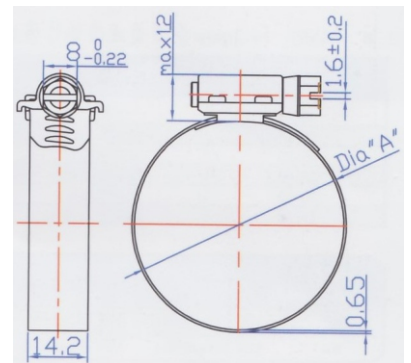
America Type 2-PCS Housing Perforated Hose Clamp MS05&MS06

| SAE No | Range     |             | Bandwidth 12.5mm |          | Bandwidth 12.5mm |          |
|--------|-----------|-------------|------------------|----------|------------------|----------|
|        | mm        | Inch        | W2               | W4       | W1               | W4       |
| 6      | 11-20mm   | 0.44"-0.78" | MS05B6           | MS05D6   | \                | \        |
| 8      | 13-23mm   | 0.5"-0.91"  | MS05B8           | MS05D8   | \                | \        |
| 10     | 14-27mm   | 0.56"-1.06" | MS05B10          | MS05D10  | \                | MS06D10  |
| 12     | 18-32mm   | 0.69"-1.25" | MS05B12          | MS05D12  | \                | MS06D12  |
| 16     | 21-38mm   | 0.81"-1.5"  | MS05B16          | MS05D16  | MS06A16          | MS06D16  |
| 20     | 21-44mm   | 0.81"-1.75" | MS05B20          | MS05D20  | MS06A20          | MS06D20  |
| 24     | 27-51mm   | 1.06"-2"    | MS05B24          | MS05D24  | MS06A24          | MS06D24  |
| 28     | 33-57mm   | 1.31"-2.25" | MS05B28          | MS05D28  | MS06A28          | MS06D28  |
| 32     | 40-64mm   | 1.56"-2.5"  | MS05B32          | MS05D32  | MS06A32          | MS06D32  |
| 36     | 46-70mm   | 1.81"-2.75" | MS05B36          | MS05D36  | MS06A36          | MS06D36  |
| 40     | 52-76mm   | 2.06"-3"    | MS05B40          | MS05D40  | MS06A40          | MS06D40  |
| 44     | 59-83mm   | 2.31"-3.25" | MS05B44          | MS05D44  | MS06A44          | MS06D44  |
| 48     | 65-89mm   | 2.56"-3.5"  | MS05B48          | MS05D48  | MS06A48          | MS06D48  |
| 52     | 71-95mm   | 2.81"-3.75" | MS05B52          | MS05D52  | MS06A52          | MS06D52  |
| 56     | 78-102mm  | 3.06"-4"    | MS05B56          | MS05D56  | MS06A56          | MS06D56  |
| 60     | 84-108mm  | 3.31"-4.25" | MS05B60          | MS05D60  | MS06A60          | MS06D60  |
| 64     | 90-114mm  | 3.56"-4.5"  | MS05B64          | MS05D64  | MS06A64          | MS06D64  |
| 72     | 103-127mm | 4.06"-5"    | MS05B72          | MS05D72  | MS06A72          | MS06D72  |
| 80     | 117-140mm | 4.62"-5.5"  | MS05B80          | MS05D80  | MS06A80          | MS06D80  |
| 88     | 130-152mm | 5.12"-6"    | MS05B88          | MS05D88  | MS06A88          | MS06D88  |
| 96     | 141-165mm | 5.56"-6.5"  | MS05B96          | MS05D96  | MS06A96          | MS06D96  |
| 104    | 157-178mm | 6.18"-7"    | MS05B104         | MS05D104 | MS06A104         | MS06D104 |



America Type 2-PCS Housing Perforated Hose Clamp MS08

| mm        | Range         |             | Bandwidth 15.8mm |  |
|-----------|---------------|-------------|------------------|--|
|           | Inch          | W4          | W5               |  |
| 25-45mm   | 1"*1 3/4"     | MS08D2545   | MS08E2545        |  |
| 32-54mm   | 1 1/4"*2 1/8" | MS08D3254   | MS08E3254        |  |
| 45-67mm   | 1 3/4"*2 5/8" | MS08D4567   | MS08E4567        |  |
| 57-79mm   | 2 1/4"*3 1/8" | MS08D5779   | MS08E5779        |  |
| 70-92mm   | 2 3/4"*3 5/8" | MS08D7092   | MS08E7092        |  |
| 83-105mm  | 3 1/4"*4 1/8" | MS08D83105  | MS08E83105       |  |
| 95-118mm  | 3 3/4"*4 5/8" | MS08D95118  | MS08E95118       |  |
| 108-130mm | 4 1/4"*5 1/8" | MS08D108130 | MS08E108130      |  |
| 121-143mm | 4 3/4"*5 5/8" | MS08D121143 | MS08E121143      |  |
| 133-156mm | 5 1/4"*6 1/8" | MS08D133156 | MS08E133156      |  |
| 146-168mm | 5 3/4"*6 5/8" | MS08D146168 | MS08E146168      |  |
| 159-181mm | 6 1/4"*7 1/8" | MS08D159181 | MS08E159181      |  |
| 172-194mm | 6 3/4"*7 5/8" | MS08D172194 | MS08E172194      |  |
| 184-206mm | 7 1/4"*8 1/8" | MS08D184206 | MS08E184206      |  |
| 197-219mm | 7 3/4"*8 5/8" | MS08D197219 | MS08E197219      |  |
| 210-232mm | 8 1/4"*9 1/8" | MS08D210232 | MS08E210232      |  |



14.2mm&15.8mm America Heavy Duty Constant Tension Clamp MS07&MS09

| mm        | inch            | Width   | Thickness | Screw Hex | W2          | W4          | Suggested Install Torque |
|-----------|-----------------|---------|-----------|-----------|-------------|-------------|--------------------------|
| 17 ~ 32   | 11/16"~1 1/4"   | 14.2 mm | 0.7       | 8.0mm     | MS07B1732   | MS07D1732   | 7.5Nm                    |
| 21 ~ 38   | 13/16"~1 1/2"   | 14.2 mm | 0.7       | 8.0mm     | MS07B2138   | MS07D2138   | 7.5Nm                    |
| 21~ 44    | 13/16"~1 3/4"   | 14.2 mm | 0.7       | 8.0mm     | MS07B2144   | MS07D2144   | 7.5Nm                    |
| 27 ~ 51   | 1 1/16"~ 2"     | 14.2 mm | 0.7       | 8.0mm     | MS07B2751   | MS07D2751   | 7.5Nm                    |
| 33 ~ 57   | 1 5/16"~2 1/4"  | 14.2 mm | 0.7       | 8.0mm     | MS07B3357   | MS07D3357   | 7.5Nm                    |
| 40 ~ 64   | 1 9/16"~2 1/2"  | 14.2 mm | 0.7       | 8.0mm     | MS07B4064   | MS07D4064   | 7.5Nm                    |
| 46 ~ 70   | 1 13/16"~2 3/4" | 14.2 mm | 0.7       | 8.0mm     | MS07B4670   | MS07D4670   | 7.5Nm                    |
| 52 ~ 76   | 2 1/16"~3"      | 14.2 mm | 0.7       | 8.0mm     | MS07B5276   | MS07D5276   | 7.5Nm                    |
| 59 ~ 83   | 2 5/16"~3 1/4"  | 14.2 mm | 0.7       | 8.0mm     | MS07B5983   | MS07D5983   | 7.5Nm                    |
| 65 ~ 89   | 2 9/16"~3 1/2"  | 14.2 mm | 0.7       | 8.0mm     | MS07B6589   | MS07D6589   | 7.5Nm                    |
| 71~ 95    | 2 13/16"~3 3/4" | 14.2 mm | 0.7       | 8.0mm     | MS07B7195   | MS07D7195   | 7.5Nm                    |
| 26 ~ 45   | 1"~1 3/4"       | 15.8 mm | 0.8       | 9.5mm     | MS09B2645   | MS09D2645   | 11Nm                     |
| 32 ~ 54   | 1 1/4"~2 1/8"   | 15.8 mm | 0.8       | 9.5mm     | MS09B3254   | MS09D3254   | 11Nm                     |
| 45 ~ 67   | 1 3/4"~2 5/8"   | 15.8 mm | 0.8       | 9.5mm     | MS09B4567   | MS09D4567   | 11Nm                     |
| 57 ~ 79   | 2 1/4"~3 1/8"   | 15.8 mm | 0.8       | 9.5mm     | MS09B5779   | MS09D5779   | 11Nm                     |
| 70 ~ 92   | 2 3/4"~3 5/8"   | 15.8 mm | 0.8       | 9.5mm     | MS09B7092   | MS09D7092   | 11Nm                     |
| 83 ~ 105  | 3 1/4"~4 1/8"   | 15.8 mm | 0.8       | 9.5mm     | MS09B83105  | MS09D83105  | 11Nm                     |
| 96 ~ 118  | 3 3/4"~4 5/8"   | 15.8 mm | 0.8       | 9.5mm     | MS09B96118  | MS09D96118  | 11Nm                     |
| 108 ~ 130 | 4 1/4"~5 1/8"   | 15.8 mm | 0.8       | 9.5mm     | MS09B108130 | MS09D108130 | 11Nm                     |
| 121 ~ 143 | 4 3/4"~5 5/8"   | 15.8 mm | 0.8       | 9.5mm     | MS09B121143 | MS09D121143 | 11Nm                     |
| 134 ~ 156 | 5 1/4"~6 1/8"   | 15.8 mm | 0.8       | 9.5mm     | MS09B134156 | MS09D134156 | 11Nm                     |
| 146 ~ 168 | 5 3/4"~6 5/8"   | 15.8 mm | 0.8       | 9.5mm     | MS09B146168 | MS09D146168 | 11Nm                     |
| 159 ~ 181 | 6 1/4"~7 1/8"   | 15.8 mm | 0.8       | 9.5mm     | MS09B159181 | MS09D159181 | 11Nm                     |
| 172 ~ 194 | 6 3/4"~7 5/8"   | 15.8 mm | 0.8       | 9.5mm     | MS09B172194 | MS09D172194 | 11Nm                     |
| 184 ~ 206 | 7 1/4"~8 1/8"   | 15.8 mm | 0.8       | 9.5mm     | MS09B184206 | MS09D184206 | 11Nm                     |
| 197 ~ 219 | 7 3/4"~8 5/8"   | 15.8 mm | 0.8       | 9.5mm     | MS09B197219 | MS09D197219 | 11Nm                     |
| 210 ~ 232 | 8 1/4"~9 1/8"   | 15.8 mm | 0.8       | 9.5mm     | MS09B210232 | MS09D210232 | 11Nm                     |



12.7mm Quick Release Hose Clamp

| SAE No | mm      | inch  | W1          | W2          | W4          |
|--------|---------|-------|-------------|-------------|-------------|
| 12     | 13-32   | 1.25" | QR03A1332   | QR03B1332   | QR03D1332   |
| 20     | 19-44   | 1.75" | QR03A1944   | QR03B1944   | QR03D1944   |
| 24     | 26-51   | 2"    | QR03A2651   | QR03B2651   | QR03D2651   |
| 28     | 26-57   | 2.25" | QR03A2657   | QR03B2657   | QR03D2657   |
| 36     | 26-70   | 2.75" | QR03A2670   | QR03B2670   | QR03D2670   |
| 48     | 38-89   | 3.5"  | QR03A3889   | QR03B3889   | QR03D3889   |
| 56     | 25-101  | 4"    | QR03A25101  | QR03B25101  | QR03D25101  |
| 72     | 51-127  | 5"    | QR03A51127  | QR03B51127  | QR03D51127  |
| 88     | 51-152  | 6"    | QR03A51152  | QR03B51152  | QR03D51152  |
| 104    | 44-178  | 7"    | QR03A44178  | QR03B44178  | QR03D44178  |
| 116    | 44-197  | 7.8"  | QR03A44197  | QR03B44197  | QR03D44197  |
| 128    | 44-217  | 8.5"  | QR03A44217  | QR03B44217  | QR03D44217  |
| 136    | 44-228  | 9"    | QR03A44228  | QR03B44228  | QR03D44228  |
| 152    | 51-254  | 10"   | QR03A51254  | QR03B51254  | QR03D51254  |
| 188    | 52-312  | 12"   | QR03A52312  | QR03B52312  | QR03D52312  |
| ---    | 362-457 | 18"   | QR03A362457 | QR03B362457 | QR03D362457 |
| ---    | 355-508 | 20"   | QR03A355508 | QR03B355508 | QR03D355508 |
| ---    | 44-509  | 20"   | QR03A44509  | QR03B44509  | QR03D44509  |



| Material | Band              | Housing    | Washer     | Screw             | Suggested Install Torque |
|----------|-------------------|------------|------------|-------------------|--------------------------|
| W1       | Zinc Plated Steel | AISI 203ss | AISI 410ss | Zinc Plated Steel | 3.4Nm                    |
| W2       | AISI 201ss/301ss  | AISI 304ss | AISI 410ss | Zinc Plated Steel | 4Nm                      |
| W4       | AISI 301ss/304ss  | AISI 304ss | AISI 410ss | AISI 301ss/304ss  |                          |



British Type Hose Clamp with Rubber Housing BT01

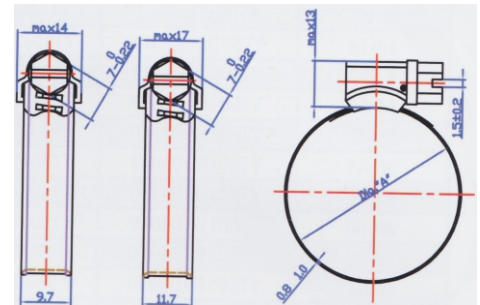
| Range mm | Bandwidth mm | W1             | W2             | W4             | PCS/BAG | PCS/CTN | Suggested Install Torque |
|----------|--------------|----------------|----------------|----------------|---------|---------|--------------------------|
| 8--14    | 9.7          | BT01A97814     | BT01B97814     | BT01D97814     | 100     | 2000    | 3.0Nm                    |
| 11--17   | 9.7          | BT01A971117    | BT01B971117    | BT01D971117    | 100     | 2000    | 3.0Nm                    |
| 13--20   | 9.7          | BT01A971320    | BT01B971320    | BT01D971320    | 100     | 2000    | 3.0Nm                    |
| 15--24   | 9.7          | BT01A971524    | BT01B971524    | BT01D971524    | 100     | 2000    | 3.0Nm                    |
| 18--28   | 9.7          | BT01A971828    | BT01B971828    | BT01D971828    | 100     | 2000    | 3.0Nm                    |
| 22--32   | 9.7          | BT01A972232    | BT01B972232    | BT01D972232    | 50      | 1000    | 3.0Nm                    |
| 26--38   | 9.7          | BT01A972638    | BT01B972638    | BT01D972638    | 50      | 500     | 3.0Nm                    |
| 32--44   | 9.7          | BT01A973244    | BT01B973244    | BT01D973244    | 50      | 500     | 3.0Nm                    |
| 38--50   | 9.7          | BT01A973850    | BT01B973850    | BT01D973850    | 50      | 500     | 3.0Nm                    |
| 44--56   | 9.7          | BT01A974456    | BT01B974456    | BT01D974456    | 25      | 500     | 3.0Nm                    |
| 50--65   | 9.7          | BT01A975065    | BT01B975065    | BT01D975065    | 25      | 250     | 3.0Nm                    |
| 58--75   | 9.7          | BT01A975875    | BT01B975875    | BT01D975875    | 25      | 250     | 3.0Nm                    |
| 68--85   | 9.7          | BT01A976885    | BT01B976885    | BT01D976885    | 10      | 250     | 3.0Nm                    |
| 77--95   | 9.7          | BT01A977795    | BT01B977795    | BT01D977795    | 10      | 250     | 3.0Nm                    |
| 15-24    | 11.7         | BT01A1171524   | BT01B1171524   | BT01D1171524   | 50      | 500     | 4.8Nm                    |
| 19-28    | 11.7         | BT01A1171928   | BT01B1171928   | BT01D1171928   | 50      | 500     | 4.8Nm                    |
| 22-32    | 11.7         | BT01A1172232   | BT01B1172232   | BT01D1172232   | 50      | 500     | 4.8Nm                    |
| 26-38    | 11.7         | BT01A1172638   | BT01B1172638   | BT01D1172638   | 50      | 500     | 4.8Nm                    |
| 32-44    | 11.7         | BT01A1173244   | BT01B1173244   | BT01D1173244   | 50      | 500     | 5.2Nm                    |
| 38-50    | 11.7         | BT01A1173850   | BT01B1173850   | BT01D1173850   | 50      | 500     | 5.2Nm                    |
| 44-56    | 11.7         | BT01A1174456   | BT01B1174456   | BT01D1174456   | 25      | 500     | 5.2Nm                    |
| 50-65    | 11.7         | BT01A1175065   | BT01B1175065   | BT01D1175065   | 25      | 500     | 5.2Nm                    |
| 58-75    | 11.7         | BT01A1175875   | BT01B1175875   | BT01D1175875   | 25      | 200     | 5.2Nm                    |
| 68-85    | 11.7         | BT01A1176885   | BT01B1176885   | BT01D1176885   | 25      | 200     | 5.2Nm                    |
| 77-95    | 11.7         | BT01A1177795   | BT01B1177795   | BT01D1177795   | 10      | 200     | 5.2Nm                    |
| 87-112   | 11.7         | BT01A11787112  | BT01B11787112  | BT01D11787112  | 10      | 200     | 5.2Nm                    |
| 104-138  | 11.7         | BT01A117104138 | BT01B117104138 | BT01D117104138 | 10      | 100     | 5.2Nm                    |
| 130-165  | 11.7         | BT01A117130165 | BT01B117130165 | BT01D117130165 | ?       | 100     | 5.2Nm                    |
| 150-180  | 11.7         | BT01A117150180 | BT01B117150180 | BT01D117150180 | ?       | 100     | 5.2Nm                    |
| 175-205  | 11.7         | BT01A117175205 | BT01B117175205 | BT01D117175205 | ?       | 100     | 5.2Nm                    |
| 200-231  | 11.7         | BT01A117200231 | BT01B117200231 | BT01D117200231 | ?       | 50      | 5.2Nm                    |
| 226-256  | 11.7         | BT01A117226256 | BT01B117226256 | BT01D117226256 | ?       | 50      | 5.2Nm                    |
| 251-282  | 11.7         | BT01A117251282 | BT01B117251282 | BT01D117251282 | ?       | 50      | 5.2Nm                    |
| 277-307  | 11.7         | BT01A117277307 | BT01B117277307 | BT01D117277307 | ?       | 50      | 5.2Nm                    |

| Material | Band              | Housing           | Screw             |
|----------|-------------------|-------------------|-------------------|
| W1       | Zinc Plated Steel | Zinc Plated Steel | Zinc Plated Steel |
| W2       | AISI 430ss        | AISI 304ss        | Zinc Plated Steel |
| W4       | AISI 430ss        | AISI 304ss        | AISI 304ss        |



**British Type Hose Clamp with Welded Housing BRT02**

| Bandwidth<br>(mm) | Size<br>(mm) | Reference    |              | Packing |            | Suggested<br>Install torque |
|-------------------|--------------|--------------|--------------|---------|------------|-----------------------------|
|                   |              | W1           | W4           | pcs/bag | pcs/carton |                             |
| 9.7               | 10-16mm      | BRT02A1016   | BRT02D1016   | 100     | 2000       | 3.0Nm                       |
| 9.7               | 13-19mm      | BRT02A1319   | BRT02D1319   | 100     | 2000       | 3.0Nm                       |
| 9.7               | 16-25mm      | BRT02A1625   | BRT02D1625   | 100     | 2000       | 3.0Nm                       |
| 9.7               | 19-29mm      | BRT02A1929   | BRT02D1929   | 100     | 1000       | 3.0Nm                       |
| 11.7              | 22-32mm      | BRT02A2232   | BRT02D2232   | 50      | 500        | 4.8Nm                       |
| 11.7              | 25-38mm      | BRT02A2538   | BRT02D2538   | 50      | 500        | 4.8Nm                       |
| 11.7              | 32-44mm      | BRT02A3244   | BRT02D3244   | 50      | 500        | 5.2Nm                       |
| 11.7              | 35-51mm      | BRT02A3551   | BRT02D3551   | 50      | 500        | 5.2Nm                       |
| 11.7              | 38-57mm      | BRT02A357    | BRT02D357    | 25      | 500        | 5.2Nm                       |
| 11.7              | 44-64mm      | BRT02A4464   | BRT02D4464   | 25      | 500        | 5.2Nm                       |
| 11.7              | 51-70mm      | BRT02A5170   | BRT02D5170   | 25      | 250        | 5.2Nm                       |
| 11.7              | 64-76mm      | BRT02A6476   | BRT02D6476   | 25      | 250        | 5.2Nm                       |
| 11.7              | 70-89mm      | BRT02A7089   | BRT02D7089   | 10      | 200        | 5.2Nm                       |
| 11.7              | 76-92mm      | BRT02A7692   | BRT02D7692   | 10      | 200        | 5.2Nm                       |
| 11.7              | 80-100mm     | BRT02A80100  | BRT02D80100  | 10      | 200        | 5.2Nm                       |
| 11.7              | 90-110mm     | BRT02A90110  | BRT02D90110  | 10      | 200        | 5.2Nm                       |
| 11.7              | 100-120mm    | BRT02A100120 | BRT02D100120 | 10      | 200        | 5.2Nm                       |
| 11.7              | 110-130mm    | BRT02A110130 | BRT02D110130 | 10      | 200        | 5.2Nm                       |
| 11.7              | 120-140mm    | BRT02A120140 | BRT02D120140 | 10      | 100        | 5.2Nm                       |
| 11.7              | 130-150mm    | BRT02A130150 | BRT02D130150 | 100     |            | 5.2Nm                       |
| 11.7              | 140-160mm    | BRT02A140160 | BRT02D140160 | 50      |            | 5.2Nm                       |
| 11.7              | 150-170mm    | BRT02A150170 | BRT02D150170 | 50      |            | 5.2Nm                       |
| 11.7              | 160-180mm    | BRT02A160180 | BRT02D160180 | 50      |            | 5.2Nm                       |
| 11.7              | 170-190mm    | BRT02A170190 | BRT02D170190 | 50      |            | 5.2Nm                       |
| 11.7              | 180-200mm    | BRT02A180200 | BRT02D180200 | 50      |            | 5.2Nm                       |
| 11.7              | 190-210mm    | BRT02A190210 | BRT02D190210 | 50      |            | 5.2Nm                       |
| 11.7              | 200-220mm    | BRT02A200220 | BRT02D200220 | 50      |            | 5.2Nm                       |
| 11.7              | 220-240mm    | BRT02A220240 | BRT02D220240 | 50      |            | 5.2Nm                       |
| 11.7              | 230-250mm    | BRT02A230250 | BRT02D230250 | 50      |            | 5.2Nm                       |
| 11.7              | 240-260mm    | BRT02A240260 | BRT02D240260 | 50      |            | 5.2Nm                       |
| 11.7              | 280-300mm    | BRT02A280300 | BRT02D280300 | 50      |            | 5.2Nm                       |
| 11.7              | 300-320mm    | BRT02A300320 | BRT02D300320 | 50      |            | 5.2Nm                       |



| Material | Band              | Housing           | Screw             |
|----------|-------------------|-------------------|-------------------|
| W1       | Zinc Plated Steel | Zinc Plated Steel | Zinc Plated Steel |
| W4       | ANSI 301/304ss    | ANSI 301/304ss    | ANSI 301/304ss    |

**British Type Hose Clamp with Riveted Housing BRT03**

| Bandwidth<br>(mm) | Size<br>(mm) | Reference    |              | Packing |            | Suggested<br>Install torque |
|-------------------|--------------|--------------|--------------|---------|------------|-----------------------------|
|                   |              | W2           | W4           | pcs/bag | pcs/carton |                             |
| 9.7               | 9.5-12       | BTR03B9.512  | BTR03D9.512  | 100     | 2000       | 3.0Nm                       |
| 9.7               | 11-16        | BTR03B1116   | BTR03D1116   | 100     | 2000       | 3.0Nm                       |
| 9.7               | 13-20        | BTR03B1320   | BTR03D1320   | 100     | 2000       | 3.0Nm                       |
| 11.7              | 16-22        | BTR03B1622   | BTR03D1622   | 50      | 1000       | 4.8Nm                       |
| 11.7              | 18-25        | BTR03B1825   | BTR03D1825   | 50      | 1000       | 4.8Nm                       |
| 11.7              | 22-30        | BTR03B2230   | BTR03D2230   | 50      | 1000       | 4.8Nm                       |
| 11.7              | 25-35        | BTR03B2535   | BTR03D2535   | 50      | 1000       | 4.8Nm                       |
| 11.7              | 27-40        | BTR03B2740   | BTR03D2740   | 50      | 1000       | 4.8Nm                       |
| 11.7              | 32-45        | BTR03B3245   | BTR03D3245   | 50      | 1000       | 4.8Nm                       |
| 11.7              | 35-50        | BTR03B3550   | BTR03D3550   | 50      | 1000       | 5.2Nm                       |
| 11.7              | 40-55        | BTR03B4055   | BTR03D4055   | 25      | 1000       | 5.2Nm                       |
| 11.7              | 45-60        | BTR03B4560   | BTR03D4560   | 25      | 500        | 5.2Nm                       |
| 11.7              | 55-70        | BTR03B5570   | BTR03D5570   | 25      | 500        | 5.2Nm                       |
| 11.7              | 60-80        | BTR03B6080   | BTR03D6080   | 25      | 500        | 5.2Nm                       |
| 11.7              | 70-90        | BTR03B7090   | BTR03D7090   | 10      | 500        | 5.2Nm                       |
| 11.7              | 85-100       | BTR03B85100  | BTR03D85100  | 10      | 500        | 5.2Nm                       |
| 11.7              | 90-120       | BTR03B90120  | BTR03D90120  | 10      | 200        | 5.2Nm                       |
| 11.7              | 120-140      | BTR03B120140 | BTR03D120140 | 10      | 200        | 5.2Nm                       |
| 11.7              | 140-160      | BTR03B140160 | BTR03D140160 | 10      | 200        | 5.2Nm                       |
| 11.7              | 160-180      | BTR03B160180 | BTR03D160180 | 10      | 200        | 5.2Nm                       |
| 11.7              | 180-200      | BTR03B180200 | BTR03D180200 | 10      | 200        | 5.2Nm                       |



| Material | Band              | Housing           | Screw             |
|----------|-------------------|-------------------|-------------------|
| W1       | Zinc Plated Steel | Zinc Plated Steel | Zinc Plated Steel |
| W4       | ANSI 301/304ss    | ANSI 301/304ss    | ANSI 301/304ss    |

**Type A Coupling**

| W4 Reference | Size  | Inch | PCS/CTN | CTN Size(cm) |
|--------------|-------|------|---------|--------------|
| GS01D40      | DN40  | 1.5" | 100     | 36*27.5*32   |
| GS01D50      | DN50  | 2"   | 100     | 39*31*34     |
| GS01D75      | DN75  | 3"   | 100     | 50*41*34     |
| GS01D100     | DN100 | 4"   | 100     | 63*51*34     |
| GS01D125     | DN125 | 5"   | 50      | 61*42*43     |
| GS01D150     | DN150 | 6"   | 60      | 72*51*43     |
| GS01D200     | DN200 | 8"   | 30      | 69*48*55     |
| GS01D250     | DN250 | 10"  | 16      | 58*58*46     |
| GS01D300     | DN300 | 12"  | 16      | 67*67*59     |

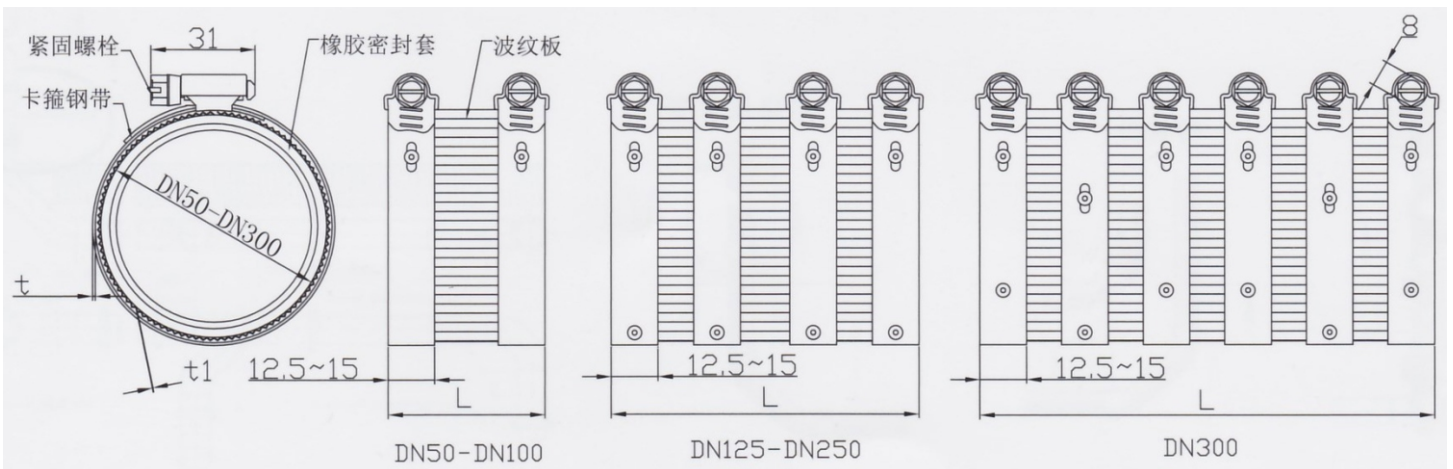
**Heavy Duty Type A Coupling**

| W4 Reference | Size  | Inch | PCS/CTN | CTN Size(cm) |
|--------------|-------|------|---------|--------------|
| GS02D40      | DN40  | 1.5" | 100     | 39*31*34     |
| GS02D50      | DN50  | 2"   | 100     | 39*31*34     |
| GS02D75      | DN75  | 3"   | 100     | 50*41*34     |
| GS02D100     | DN100 | 4"   | 100     | 63*51*34     |
| GS02D125     | DN125 | 5"   | 50      | 60*42*54     |
| GS02D150     | DN150 | 6"   | 60      | 72*51*43     |
| GS02D200     | DN200 | 8"   | 30      | 69*48*55     |
| GS02D250     | DN250 | 10"  | 16      | 58*58*46     |
| GS02D300     | DN300 | 12"  | 16      | 67*67*59     |



**W管型不锈钢卡箍**

| Size  | Width | Thickness t | Thickness t1 | Min | Max | Install Torque |
|-------|-------|-------------|--------------|-----|-----|----------------|
| DN50  | 54    | 0.65mm      | 0.18mm       | 50  | 76  | 7.5Nm          |
| DN75  | 54    |             |              | 75  | 101 |                |
| DN100 | 54    |             |              | 101 | 127 |                |
| DN125 | 76    |             |              | 134 | 157 |                |
| DN150 | 76    |             |              | 160 | 182 |                |
| DN200 | 100   |             |              | 198 | 233 |                |
| DN250 | 100   |             |              | 248 | 298 |                |
| DN300 | 138   |             |              | 298 | 352 |                |



**Type CHA Coupling**

| W4 Reference | W2 Reference | Size  | Inch | PCS/CTN | CTN Size(cm) |
|--------------|--------------|-------|------|---------|--------------|
| GS04D50      | GS04B50      | DN50  | 2"   | 100     | 46*33*33     |
| GS04D75      | GS04B75      | DN75  | 3"   | 100     | 60*44*33     |
| GS04D100     | GS04B100     | DN100 | 4"   | 50      | 55*40*33     |
| GS04D125     | GS04B125     | DN125 | 5"   | 50      | 68*44*40     |
| GS04D150     | GS04B150     | DN150 | 6"   | 50      | 73*53*39     |
| GS04D200     | GS04B200     | DN200 | 8"   | 12      | 72*39*32     |
| GS04D250     | GS04B250     | DN250 | 10"  | 4       | 72*39*32     |
| GS04D300     | GS04B300     | DN300 | 12"  | 4       | 72*39*32     |



**Type D Coupling**

| W4 Reference | Size     | Inch    | PCS/CTN | CTN Size(cm) |
|--------------|----------|---------|---------|--------------|
| GS06D5040    | DN50*40  | 2"*1.5" | 50      | 41*31*31     |
| GS06D7550    | DN75*50  | 3"*2"   | 50      | 41*31*31     |
| GS04D10050   | DN100*50 | 4"*2"   | 50      | 51*37*32     |
| GS04D10075   | DN100*75 | 4"*3"   | 50      | 41*37*32     |



**Type E Coupling**

| W4 Reference | W2 Reference | Size  |      | PCS/CTN | CTN Size(cm) |
|--------------|--------------|-------|------|---------|--------------|
|              |              | mm    | Inch |         |              |
| GS07D50      | GS07B50      | DN50  | 2"   | 100     | 45*32*30     |
| GS07D75      | GS07B75      | DN75  | 3"   | 100     | 60*42*33     |
| GS07D100     | GS07B100     | DN100 | 4"   | 100     | 72*51*32     |
| GS07D125     | GS07B125     | DN125 | 5"   | 50      | 41*43.5*42   |



**Type F Coupling**

| W4 Reference | W2 Reference | Size  |      | PCS/CTN | CTN Size(cm) |
|--------------|--------------|-------|------|---------|--------------|
|              |              | mm    | Inch |         |              |
| GS08D100     | GS08B100     | DN100 | 4"   | 50      | 55*40*33     |
| GS07D125     | GS07B125     | DN125 | 5"   | 50      | 68*44*40     |
| GS07D150     | GS07B150     | DN150 | 6"   | 50      | 73*53*39     |
| GS07D200     | GS07B200     | DN200 | 8"   | 12      | 72*39*32     |



**Type G Close Cover**

| Reference | Size  |      | PCS/CTN | CTN Size(cm) |
|-----------|-------|------|---------|--------------|
|           | mm    | Inch |         |              |
| GS10D40   | DN40  | 1.5" | 100     | 37*26*25     |
| GS10D50   | DN50  | 2"   | 100     | 43*31*25     |
| GS10D70   | DN70  | 3"   | 100     | 56*31*25     |
| GS10D100  | DN100 | 4"   | 50      | 53*38*30     |
| GS10D125  | DN125 | 5"   |         |              |
| GS10D150  | DN150 | 6"   |         |              |



**Heavy Duty Support Clip**

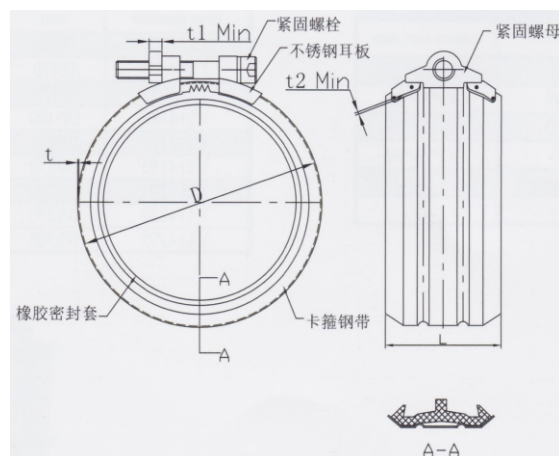
| Reference | Size  |      | PCS/CTN | CTN Size(cm) |
|-----------|-------|------|---------|--------------|
|           | mm    | Inch |         |              |
| YX14050   | DN50  | 2"   | 20      | 32*27*14     |
| YX14070   | DN70  | 3"   | 10      | 32*27*14     |
| YX14075   | DN75  | 3"   | 10      | 32*27*14     |
| YX14100   | DN100 | 4"   | 10      | 32*27*14     |
| YX14125   | DN125 | 5"   | 10      | 38*27*14     |
| YX14150   | DN150 | 6"   | 10      | 38*27*17     |
| YX14200   | DN200 | 8"   | 5       | 38*27*17     |
| YX14250   | DN250 | 10"  | 5       | 38*27*17     |
| YX14305   | DN305 | 12"  | 5       | 72*39*33     |



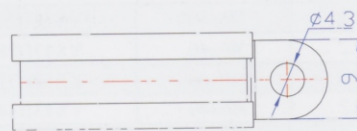
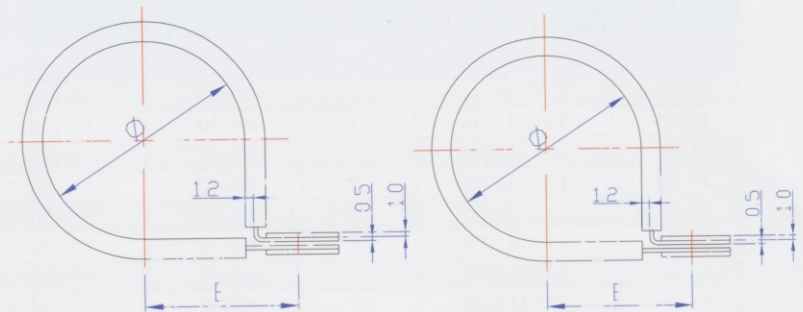
| Type B Coupling |              |              | Size  |      | PCS/CTN | CTN Size(cm) |
|-----------------|--------------|--------------|-------|------|---------|--------------|
| W5 Reference    | W2 Reference | W2 Reference | mm    | Inch |         |              |
| GS03E40         | GS03D40      | GS03B40      | DN40  | 1.5" | 250     | 57*42*26     |
| GS03E50         | GS03D50      | GS03B50      | DN50  | 2"   | 100     | 42*32*24     |
| GS03E75         | GS03D75      | GS03B75      | DN75  | 3"   | 100     | 57*42*26     |
| GS03E100        | GS03D100     | GS03B100     | DN100 | 4"   | 100     | 70*52*28     |
| GS03E125        | GS03D125     | GS03B125     | DN125 | 5"   | 50      | 54*38*62     |
| GS03E150        | GS03D150     | GS03B150     | DN150 | 6"   | 50      | 54*38*62     |
| GS03E200        | GS03D200     | GS03B200     | DN200 | 8"   | 20      | 63*51*33     |



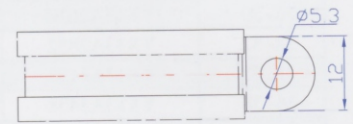
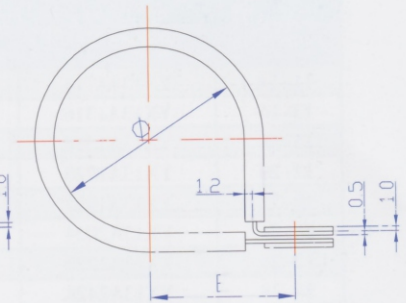
| 11管型不锈钢卡箍    |     | 卡箍刚带厚度t    |               | 螺母厚度t1 | 耳板厚度t1 | 卡箍宽度L    | 螺栓     | 螺栓    |
|--------------|-----|------------|---------------|--------|--------|----------|--------|-------|
| W5 Reference | D   | 06Cr19Ni10 | 06Cr17Ni12Mo2 |        |        |          |        |       |
| DN50         | 70  | 0.4        | 0.5           | 4.8    | 1.8    | 57*42*26 | M8-45  | 1.8Nm |
| DN75         | 94  |            |               |        |        | 42*32*24 | M8-60  | 1.8Nm |
| DN100        | 124 |            |               |        |        | 57*42*26 | M8-60  | 22Nm  |
| DN125        | 154 |            |               |        |        | 70*52*28 | M8-70  | 22Nm  |
| DN150        | 178 |            |               |        |        | 54*38*62 | M8-70  | 22Nm  |
| DN200        | 230 | 0.55       | 0.55          | 7.8    | 2.3    | 54*38*62 | M10-80 | 30Nm  |



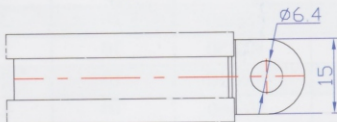
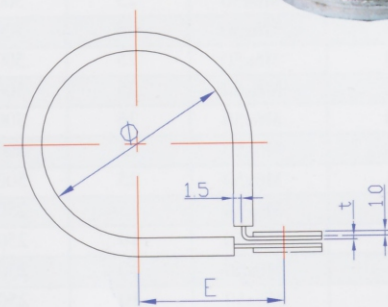
■ LJT01普通连胶条卡箍  
P-clip with rubber



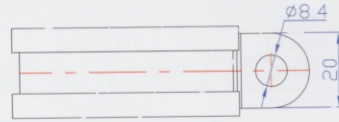
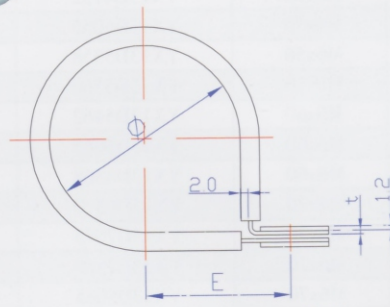
| 直径(∅) | E                   |
|-------|---------------------|
| 4-36  | $\varnothing/2+6.2$ |



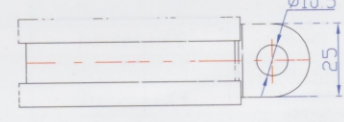
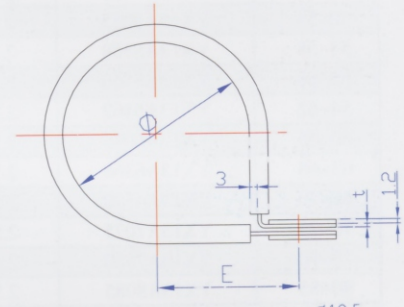
| 直径(∅) | E                   |
|-------|---------------------|
| 4-40  | $\varnothing/2+7.7$ |



| 直径(∅)  | t   | E                   |
|--------|-----|---------------------|
| 3-14   | 0.6 | $\varnothing/2+9+t$ |
| 15-110 | 0.8 |                     |



| 直径(∅) | t   | E                    |
|-------|-----|----------------------|
| 10-24 | 0.8 | $\varnothing/2+12+t$ |
| 25-74 | 1.0 |                      |



| 直径(∅)  | t   | E                      |
|--------|-----|------------------------|
| 12-49  | 1.0 | $\varnothing/2+15.5+t$ |
| 50-100 | 1.2 |                        |

■ 其他样式连胶条  
other types of P-clip



涂塑连胶条  
P-clip with vinyl coated  
LJT02



12.7mm连胶条  
bandwidth 1/2"  
LJT03

**light duty clamp**



| SIZE | T*W(mm) | PCS/CTN |
|------|---------|---------|
| 63   | 0.8*28  | 200     |
| 75   | 0.8*28  | 200     |
| 80   | 0.8*28  | 200     |
| 90   | 0.8*28  | 200     |
| 100  | 0.8*28  | 200     |
| 110  | 0.8*28  | 200     |
| 125  | 0.8*28  | 100     |
| 160  | 0.8*28  | 100     |
| 200  | 0.8*28  | 100     |

**Nail Pipe Clamp**



| SIZE   | T*W(mm) | PCS/CTN |
|--------|---------|---------|
| 1/2"   | 1.5*20  | 300     |
| 3/4"   | 1.5*20  | 300     |
| 1"     | 1.5*20  | 200     |
| 1 1/4" | 1.5*20  | 200     |
| 1 1/2" | 1.5*20  | 200     |
| 2"     | 1.5*20  | 200     |
| 2 1/2" | 1.5*20  | 200     |
| 3"     | 1.5*20  | 150     |
| 4"     | 1.5*20  | 150     |

**U-Clamp**



| PIC | SIZE | Thickness*Width |        |        |        | PCS/CTN |
|-----|------|-----------------|--------|--------|--------|---------|
|     | 20   | 0.5*15          | 0.7*15 | 1*15   | 1.2*15 | 2000    |
|     | 25   | 0.5*15          | 0.7*15 | 1*15   | 1.2*15 | 2000    |
|     | 32   | 0.5*15          | 0.7*15 | 1*15   | 1.2*15 | 2000    |
|     | 40   | 0.5*18          | 0.8*18 | 1*18   | 1.2*18 | 1000    |
|     | 50   | 0.5*18          | 0.8*18 | 1*18   | 1.2*18 | 500     |
|     | 63   | 0.5*18          | 0.8*18 | 1*18   | 1.2*18 | 500     |
|     | 75   | 0.8*18          | 1*18   | 1.2*18 |        | 500     |
|     | 90   | 0.8*18          | 1*18   | 1.2*18 |        | 500     |
|     | 100  | 0.8*18          | 1*18   | 1.2*18 |        | 500     |
|     | 110  | 0.8*18          | 1*18   | 1.2*18 |        | 500     |
|     | 75   | 0.8*25          | 1*25   | 1.2*25 |        | 500     |
|     | 90   | 0.8*25          | 1*25   | 1.2*25 |        | 500     |
|     | 100  | 0.8*25          | 1*25   | 1.2*25 |        | 500     |
|     | 110  | 0.8*25          | 1*25   | 1.2*25 |        | 500     |

**Single Pipe Clamp with Inner Rubber**



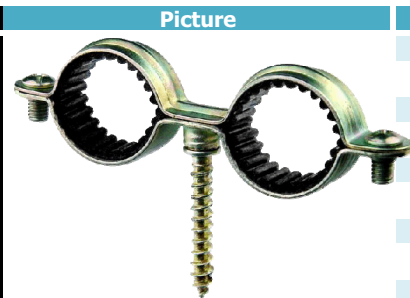
| Picture | Size | T*W    | Screw |
|---------|------|--------|-------|
|         | Φ10  | 0.8*11 | M5*9  |
|         | Φ12  | 0.8*11 | M5*9  |
|         | Φ14  | 0.8*11 | M5*9  |
|         | Φ16  | 0.8*11 | M5*9  |
|         | Φ18  | 0.8*11 | M5*9  |
|         | Φ20  | 0.8*11 | M5*9  |
|         | Φ22  | 0.8*11 | M5*9  |
|         | Φ24  | 0.8*11 | M5*9  |
|         | Φ26  | 0.8*11 | M5*9  |
|         | Φ28  | 0.8*11 | M5*9  |
|         | Φ30  | 0.8*11 | M5*9  |
|         | Φ32  | 0.8*11 | M5*9  |
|         | Φ36  | 0.8*11 | M5*9  |
|         | Φ40  | 0.8*11 | M5*9  |

**SIMPLE STEEL CLAMP WITHOUT RUBBER**



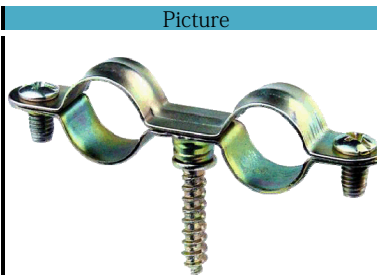
| Picture | Size | T*W    | Screw |
|---------|------|--------|-------|
|         | Φ10  | 0.8*11 | M5*9  |
|         | Φ12  | 0.8*11 | M5*9  |
|         | Φ14  | 0.8*11 | M5*9  |
|         | Φ16  | 0.8*11 | M5*9  |
|         | Φ18  | 0.8*11 | M5*9  |
|         | Φ20  | 0.8*11 | M5*9  |
|         | Φ22  | 0.8*11 | M5*9  |
|         | Φ24  | 0.8*11 | M5*9  |
|         | Φ26  | 0.8*11 | M5*9  |
|         | Φ28  | 0.8*11 | M5*9  |
|         | Φ30  | 0.8*11 | M5*9  |
|         | Φ32  | 0.8*11 | M5*9  |
|         | Φ36  | 0.8*11 | M5*9  |
|         | Φ40  | 0.8*11 | M5*9  |

**Double Pipe Clamp with Inner Rubber**



| Picture | Size | T*W    | Screw |
|---------|------|--------|-------|
|         | Φ10  | 0.8*11 | M5*9  |
|         | Φ12  | 0.8*11 | M5*9  |
|         | Φ14  | 0.8*11 | M5*9  |
|         | Φ16  | 0.8*11 | M5*9  |
|         | Φ18  | 0.8*11 | M5*9  |
|         | Φ20  | 0.8*11 | M5*9  |
|         | Φ22  | 0.8*11 | M5*9  |
|         | Φ24  | 0.8*11 | M5*9  |
|         | Φ26  | 0.8*11 | M5*9  |

**Double Pipe Clamp without Rubber**



| Picture | Size | T*W    | Screw |
|---------|------|--------|-------|
|         | Φ10  | 0.8*11 | M5*9  |
|         | Φ12  | 0.8*11 | M5*9  |
|         | Φ14  | 0.8*11 | M5*9  |
|         | Φ16  | 0.8*11 | M5*9  |
|         | Φ18  | 0.8*11 | M5*9  |
|         | Φ20  | 0.8*11 | M5*9  |
|         | Φ22  | 0.8*11 | M5*9  |
|         | Φ26  | 0.8*11 | M5*9  |
|         | Φ28  | 0.8*11 | M5*9  |